

SPECIFICATIONS

Current Rating: 4AMP
 Voltage Rating: 250V AC/DC
 Contact Resistance: 10m Ω Max
 Insulation Resistance: 1000M Ω Min
 Withstanding Voltage: 1000V AC for 1 minute
 Temperature Range: -25°C to +85°C

MATERIAL

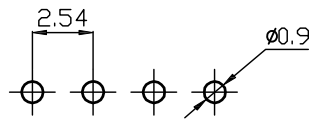
Contact: Brass, Tin plated
 Insulator: NY66, UL94V-0

ORDER INFORMATION

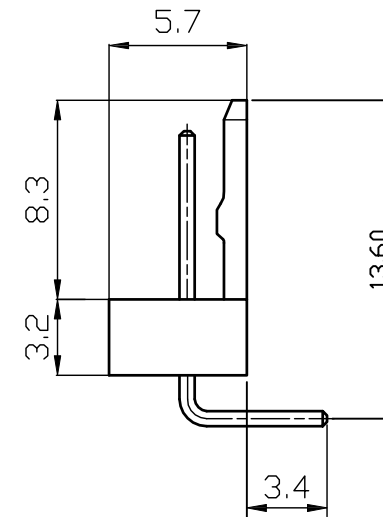
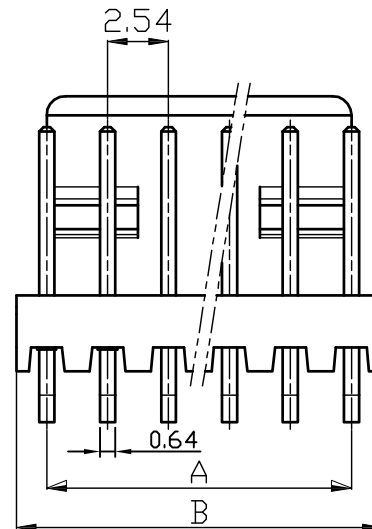
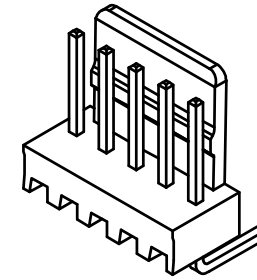
W 2542R - XX



No. of contacts	Dimensions	
	A	B
02	2.54	5.08
03	5.08	7.62
04	7.62	10.16
05	10.16	12.70
06	12.70	15.24
07	15.24	17.78
08	17.78	20.32
09	20.32	22.86
10	22.86	25.40
11	25.40	27.94
12	27.94	30.48
13	30.48	33.02
14	33.02	35.56
15	35.56	38.10
16	38.10	40.64



P.C.B LAYOUT



M Morecrafts Technology
 TEL: +886-2-2966-1326
 FAX: +886-2-2966-1352
 www.morecrafts.com.tw

PART NO.	W2542R-XX	DRAWN	Andrew
DRAWING NO.	W2542R-XX	CHECKED	Claudia
DATE	2020/08/05	APPROVED	Brian

TITLE:	2.54mm pitch Wafer	REV.	A0	TOLERANCE	.X ±0.25 .XX ±0.20	SCALE	1:1	UNIT	mm	NO.		DESCRIPTION		DATE	
--------	--------------------	------	----	-----------	-----------------------	-------	-----	------	----	-----	--	-------------	--	------	--