

## SPLICING CONNECTOR FOR TELECOMMUNICATION ECT SERIES

### ■ FEATURES:

- Making a clean, solid and rapid connection of you wires to keep your communication lines free of noise.
- ECT discrete connectors (UY,UB and UR) are available to handle a wide range of conductor sizes and applications.
- The small size allows you to handle higher pair count splicing while keeping the bundle O.D. to a minimum.
- A crimping tool is also available and it is designed for the use of crimping UY,UB and UR connectors.



### ■ SPECIFICATIONS:

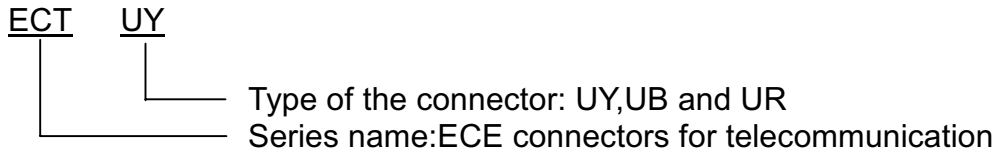
#### 1. Electrical

- Dielectric strength 3.0KV Min. at a 60 HZ A.C. testing voltage and a rate of 500 V (R.M.S.)/sec.
- High humidity insulation resistance  $10^5$  M ohm Min.
- Water immersion insulation resistance 100 M ohm Min.
- Connection resistance change after one of the testing conditions following:
  - Vibration
  - Thermal shock
  - Heat aging2m ohm change Max.

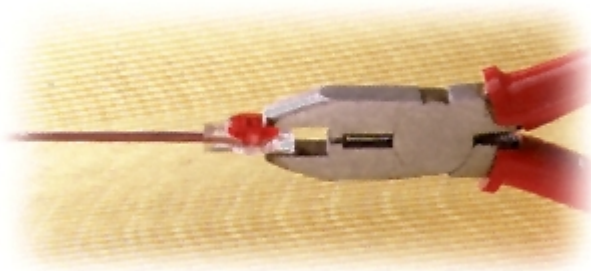
#### 2. Mechanical

- Tensile test  
90% Min. of the controlled wire breaking strength.
- Crimping force
  - UY: 28 kg Max. for crimping the 2 referenced conductors, each one is diameter 0.65 mm and O.D. 1.27 mm.
  - UB: 34 kg Max. for crimping the 2 referenced conductors, each one is diameter 0.65mm and O.D. 1.27mm.
  - UR:236 kg Max. for crimping the 3 referenced conductors, each one is diameter 0.9mm and O.D. 1.67mm.

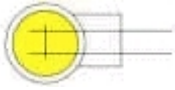



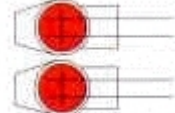

## ■ PART NUMBERING SYSTEM



## ■ TOOL (PART NO.:ECT TL)



## ■ CONNECTION TYPE AND APPLICATION

CONNECTOR	CONNECTION TYPE	APPEARANCE	APPLICATION	REMARK
UY			A two-wire connector for solid copper 0.65-0.4 mm (22-26 AWG) cable.	Maximum insulation O.D. 1.52 mm (0.060")
UB			A tap connector for T type divergence wire of solid copper 0.65-0.4 mm (22-26 AWG) air core or 0.5-0.4 mm (24-26 AWG) filled core cable.	(a)Max. insulation O.D. 1.27 mm (0.050"). (b)With pre-crimped feature.
UR			A two-or three-wire connection for Y type divergence wire of solid copper 0.9-0.4 mm (19-26 AWG) air core or 0.65-0.4 mm (22-26 AWG) filled cable.	Maximum insulation O.D. 1.67 mm (0.066")

## ■ PACKINGS

1. Every 100 pieces is packed in a small box. Every 10 small boxes is packed in a box and 10 boxes are packed in a carton. The dimensions of a small box for the packing of UY,UB and UR are as following:

The dimensions of a small box	LENGTH	WIDTH	HEIGHT
UY and UB	45mm	55mm	57mm
UR	65mm	65mm	60mm

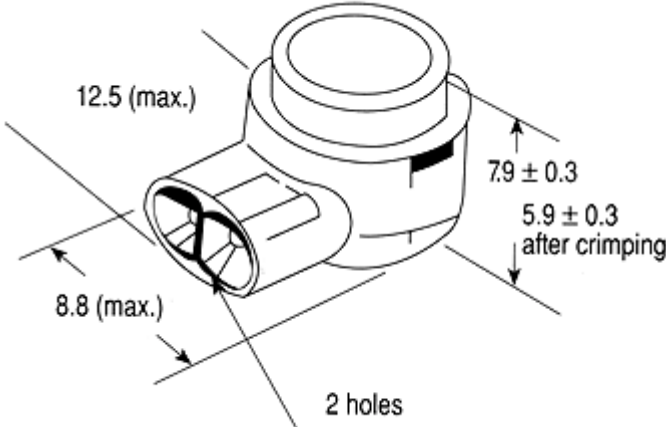
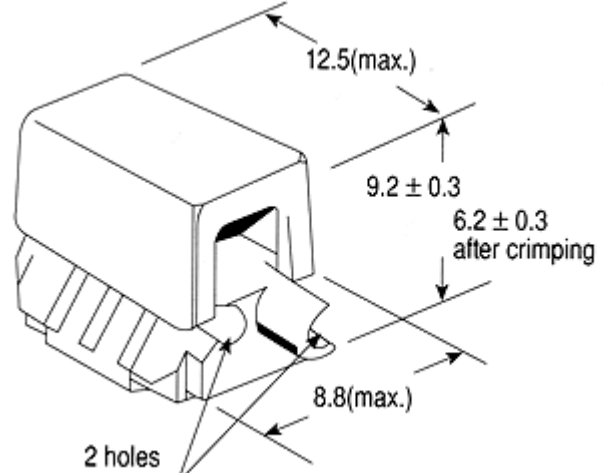
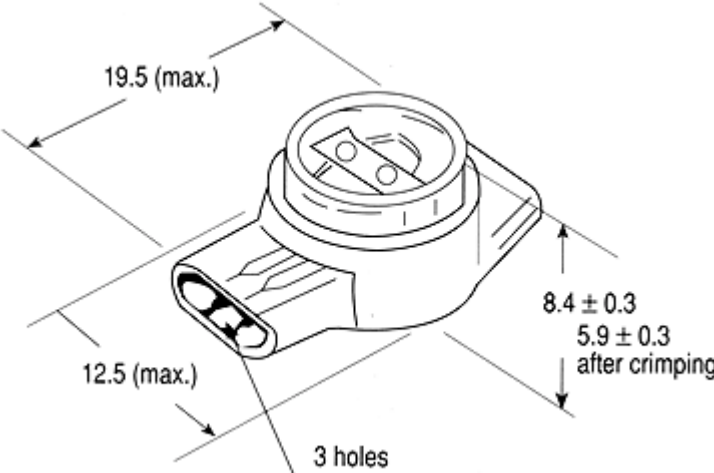
2. The type of connector, quantity, manufacturing company and date are shown on the box.
3. The type of connector, quantity, order number or contract number, manufacturing company and date are shown on the carton.
4. Special packing available.

## ■ MODULE (PART NO.:ECT MD)

1. Module splicing connector is also available.



■ MAIN DIMENSIONS (UNIT:mm)

<p><b>UY</b></p>	 <p>12.5 (max.) 8.8 (max.) 7.9 ± 0.3 5.9 ± 0.3 after crimping 2 holes</p>
<p><b>UB</b></p>	 <p>12.5 (max.) 8.8 (max.) 9.2 ± 0.3 6.2 ± 0.3 after crimping 2 holes</p>
<p><b>UR</b></p>	 <p>19.5 (max.) 12.5 (max.) 8.4 ± 0.3 5.9 ± 0.3 after crimping 3 holes</p>