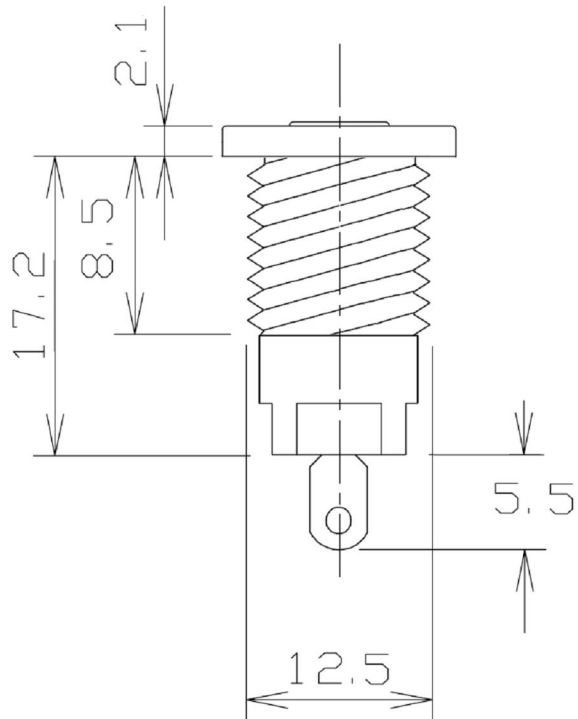
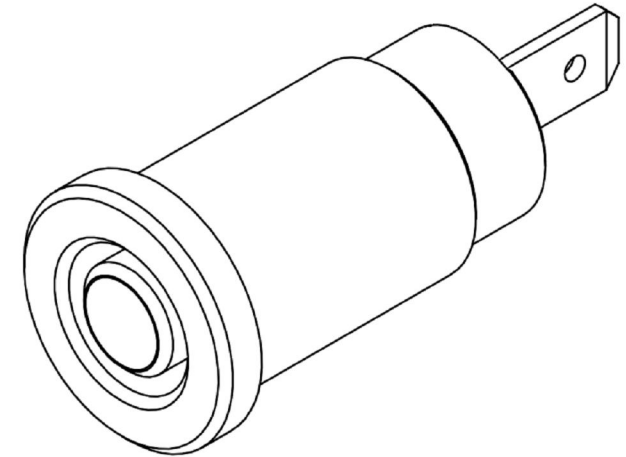


PANEL MOUNTING
HOLE DETAILS

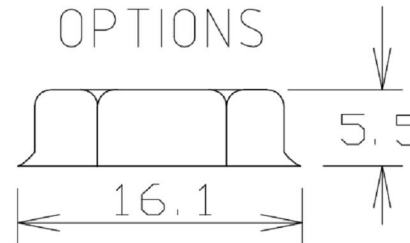


7/16"-20 UNF THREAD

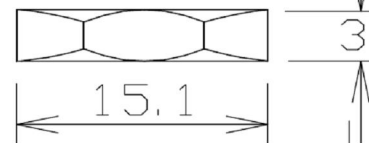
THIS PRODUCT HAS MIN 6.5mm CREEPAGE CLEARANCE TO PASS 1000V

FIXING
OPTIONS

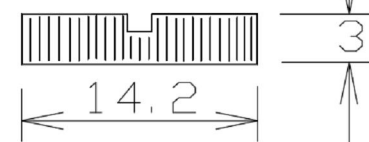
STANDARD NUT
PLASTIC



HEX CHROMED NUT



SLOTTED CHROMED
NUT



BLACK
RED
YELLOW
BLUE
BROWN
GREY
GREEN
WHITE

TOLERANCE
NO DEC. PLACE ± 0.50
1 DEC. PLACE ± 0.20
2 DEC. PLACE \pm
HOLE $\varnothing \pm$
ANGLES $\pm 1/2^\circ$
UNLESS
OTHERWISE STATED

DIMENSIONS IN MILLIMETERS UNLESS OTHERWISE STATED. WORK TO DIMENSIONS. REMOVE ALL BURRS. IF IN DOUBT ASK.

3rd ANGLE PROJECTION:

DO NOT SCALE

MATERIAL: NYLON / BRASS

FINISH: AS MOULDED / PLATED

DRAWN:

APPROVED:

TITLE: TOUCHPROOF 4mm SOCKET

DRWG. No.

SOCK-BAN-MET

FORM: PDF