

PmodR2R™ Reference Manual

Revision: February 6, 2009

Note: This document applies to REV B of the board.



www.digilentinc.com

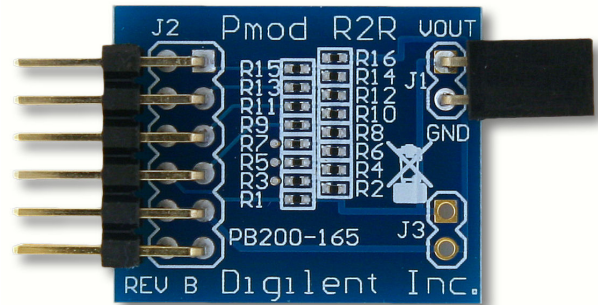
215 E Main Suite D | Pullman, WA 99163
(509) 334 6306 Voice and Fax

Overview

The PmodR2R board provides digital-to-analog conversion using a circuit that has been a staple in engineering design for decades. The board provides an easy way to gain insight and experience with R2R circuits.

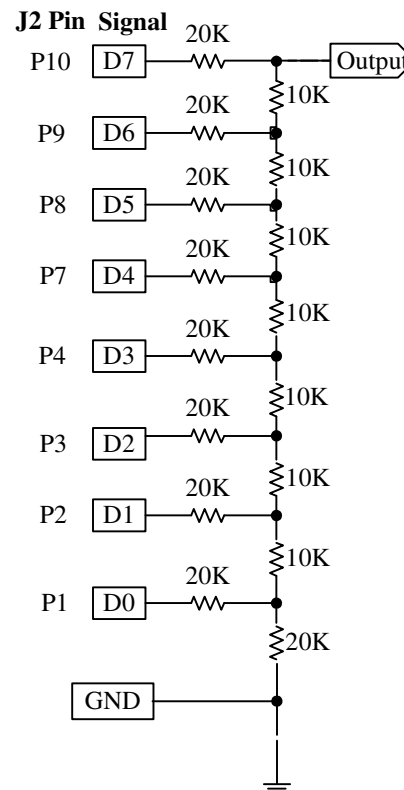
Features include:

- 8-bit digital to analog conversion at up to 25MHz
- easy attachment of oscilloscopes to illustrate the data conversion process
- rugged construction



Functional Description

The PmodR2R board provides an R2R resistor divider network that can convert an 8-bit digital input signal to an analog value. The board uses 20K and 10K resistors, so very little current is drawn from input source pins. Separate GND and analog signal-out connections are provided. The output analog signal is also connected to a 2-pin header at J1. J3 provides a 2-pin test point for easy measurement of analog signals.



Signals and Connector Pinouts