

PRODUCT SPECIFICATION

Type Of Module	JCN-M5
Maximum Power (W)功率	5
Tolerance (%)正负公差	± 3%
Open Circuit Voltage (V)开路电压	21.38
Maximum Power Voltage (V)工作电压	17.82
Maximum Power Current (A)工作电流	0.28
Short Circuit Current (A)短路电流	0.31
Module Efficiency (%)组件转换率	11
Solar Cell Efficiency (%)电池片转换率	18
Series Fuse Rating (A)保险丝等级	10
Terminal Box 接线盒防水等级	IP65
Maximum system voltage (V) 系统耐压	DC1000
Operating Temperature(°C)工作温度范围	-40°C ---85°C

PRODUCT FEATURE

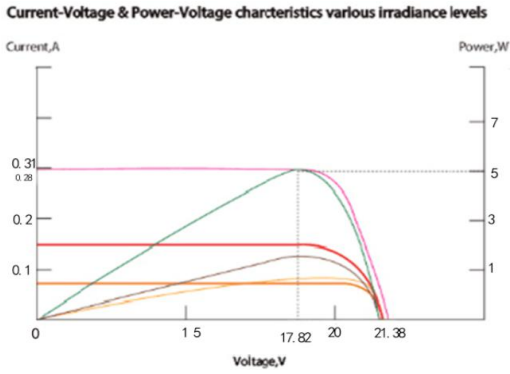
- Bypass diode minimizes the power drop by shade.
- The conversion efficiency of solar cell is above 18%.
- White tempered glass ,EVA resin,weather proof film and anodized aluminum frame to provide efficient protection from the severest environmental conditions.
- Waterproof.Perfect for grid applications.
- Product guarantee 5 years.

Quality Assurance

- Electrical Insulation test
- Outdoor exposure test
- Hbt-spot endurance test
- UV-exposure
- Thermal cycling test
- Humidity freeze test
- Damp heat Test
- Robustness of terminations test
- Wet leakage current test
- Mechanical load test
- Hail impact test
- Bypass diode thermal test



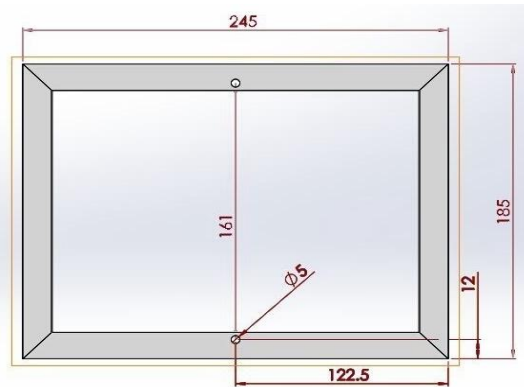
Electrical Characteristics



Electric Performance Typical Performance Characteristics		
Short Circuit Current Temperature Coefficient	mA/C	+2.5
Open Circuit Voltage Temperature Coefficient	V/C	-0.147
Maximum Power Temperature Coefficient	%/C	-0.4

Physical Specifications

Dimension: 185*245*17*17mm



SHENZHEN JCN NEW ENERGY CO.,LTD.



Add : Buildings 6, CSST Industrial Park, Gongchang Rd., Zhenmei Village, Guangming New District, Shenzhen, Guangdong China

Tel: +86- 755 27094995-8061 Fax: +86-755 27094995-8064
 Website: www.jcnsolar.com www.jcnsolar.com.cn Email:sales12@solarszled.com