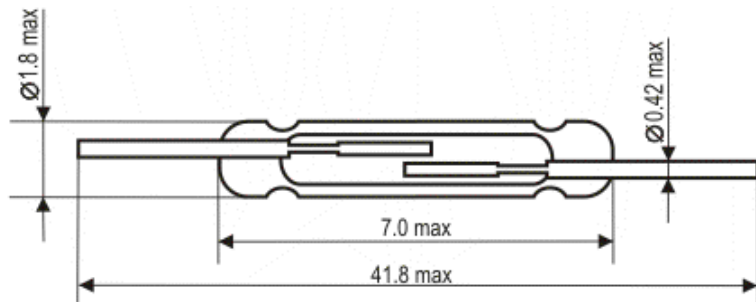


Specifications for MKA-07101



Contact form	1A
Contact material	Ru
Maximum switching power, W	1
Maximum switching voltage, V	24
Maximum switching current, A	0,1
Pull in, AT	7-35
Drop out, AT min.	4
Contact resistance, Ohm max.	0,2
Breakdown voltage, V dc min.	150
Insulation resistance, Ohm min.	$1 \cdot 10^9$
Operate time, ms max.	0,3
Release time, ms max.	0,1
Capacitance, pF max.	0,4
Resonant frequency, Hz min.	12000
Operate temperature range, $^{\circ}\text{C}$	-60 +125
High humidity at $T=35^{\circ}\text{C}$, % max.	98
Test coil:	Number of turns 5000
	Resistance, Ohm 580
UL file#	E229065

Customized switches are available upon request:

- with close PI values;
- with cut, bent, flat leads;

Life expectancy and reliability

Test modes:

- 50mV-5 μA - 5×10^7 operations min. at operation frequency of 100 Hz with failure rate $6,7 \cdot 10^{-10}$ oper $^{-1}$. min., confidence level of 60%.
- 5V-10mA- 2×10^7 operations min. at operation frequency of 100 Hz with failure rate $1,7 \cdot 10^{-9}$ oper $^{-1}$. min., confidence level of 60%.

Coil energized 1.5 times each stated max. operate value.

Shock

Reed switches are immune to mechanical shocks with peak shock acceleration of 150 g and impulse duration of 0,1 ms.

Vibration

Reed switches are immune to sinusoidal vibration at 1-2000 Hz and acceleration amplitude of 10 g.

[Electrical and Mechanical Characteristics](#)

