

# SUN™

## LP60-110 PTC RESETTABLE OVERCURRENT PROTECTOR

### APPLICATION:

Almost anywhere there is a low voltage power supply and a load to be protected including:

- DC MOTOR DRIVE CIRCUIT
- COMPUTERS & PERIPHERALS
- GENERAL ELECTRONICS EQUIPMENT
- AUTOMOTIVE APPLICATION

### ELECTRICAL CHARACTERISTICS:

$I_{max}$ ..... 40A

$V_{max}$ ..... 60VOLTS

$I_{hold}$ ..... 1.1A max @ 23

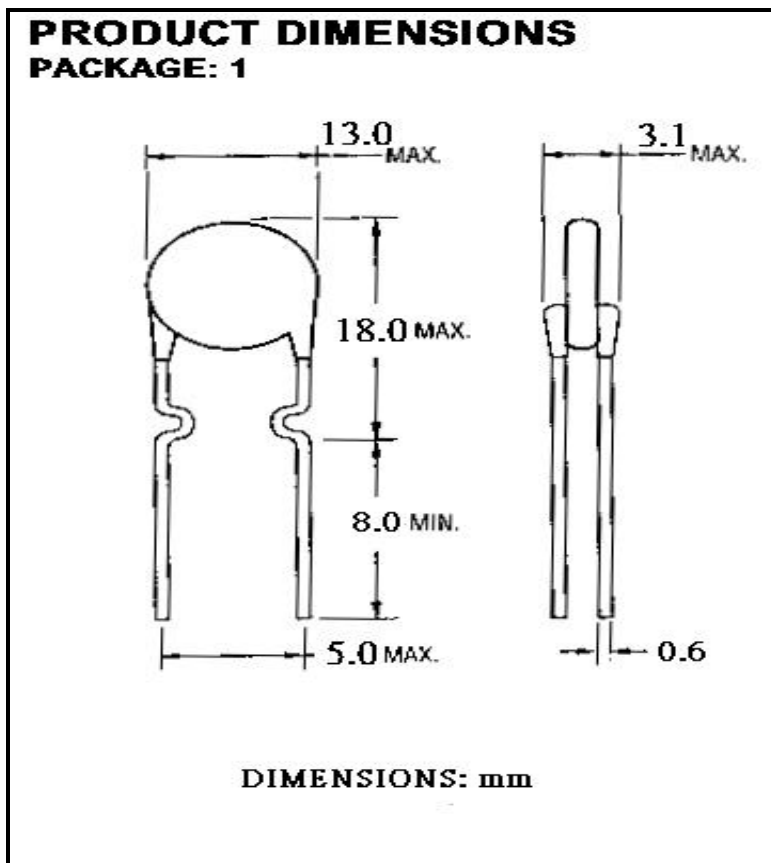
$I_{trip}$ ..... 2.2A min @ 23

### RESISTANCE

$R_{initial}$ ..... 0.14 OHM MIN  
0.25 OHM MAX

Time to trip..... 8.2 SEC

$P_D$ ..... 1.51W



**\* DIRECT REPLACE: BOURNS MF-R110  
: RAYCHEM RXE110**

### NOTE:

### Measured Values

$I_H$ – Hold current	Maximum current device will pass without interruption in 23 still air.
$I_T$ – Trip current	Min. current which will switch the device from low to high resistance in 23 still air.
$I_{max}$	Maximum fault current the device can withstand without damage at rated voltage.
$V_{max}$	Maximum voltage the device can withstand without damage at rated current.
$P_D$	Power dissipated from the device when in the tripped state in 23 still air.
Initial Resistance	Device resistance as received from the factory.

## MOBICON GROUP