

SUN™

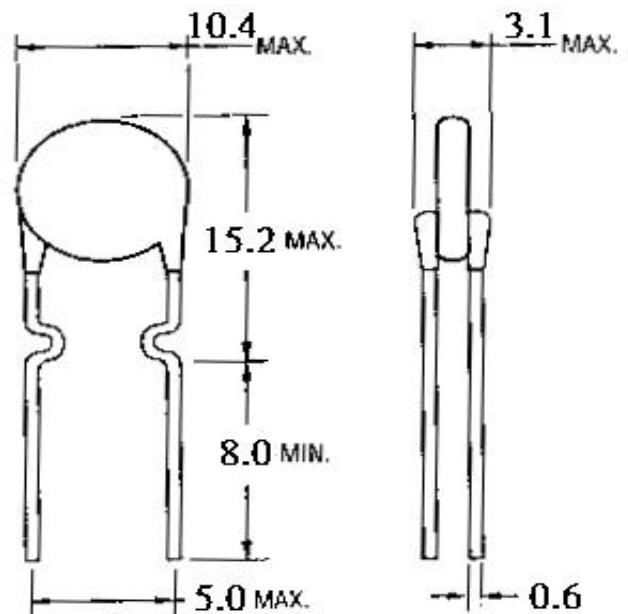
LP60-075 PTC RESETTABLE OVERCURRENT PROTECTOR

APPLICATION:

Almost anywhere there is a low voltage power supply and a load to be protected including:

- DC MOTOR DRIVE CIRCUIT
- COMPUTERS & PERIPHERALS
- GENERAL ELECTRONICS EQUIPMENT
- AUTOMOTIVE APPLICATION

PRODUCT DIMENSIONS PACKAGE: 1



ELECTRICAL CHARACTERISTICS:

- I_{max} 40A
- V_{max} 60VOLTS
- I_{hold} 0.75A max @ 23
- I_{trip} 1.5A min @ 23

RESISTANCE

- $R_{initial}$ 0.18 OHM MIN
0.40 OHM MAX
- Time to trip 6.3 SEC
- P_D 0.93W

DIMENSIONS: mm

NOTE:

Measured Values

* DIRECT REPLACE: BOURNS MF-R075
: RAYCHEM RXE075

I_H – Hold current	Maximum current device will pass without interruption in 23 still air.
I_T – Trip current	Min. current which will switch the device from low to high resistance in 23 still air.
I_{max}	Maximum fault current the device can withstand without damage at rated voltage.
V_{max}	Maximum voltage the device can withstand without damage at rated current.
P_D	Power dissipated from the device when in the tripped state in 23 still air.
Initial Resistance	Device resistance as received from the factory.

MOBICON GROUP