

# SUN™

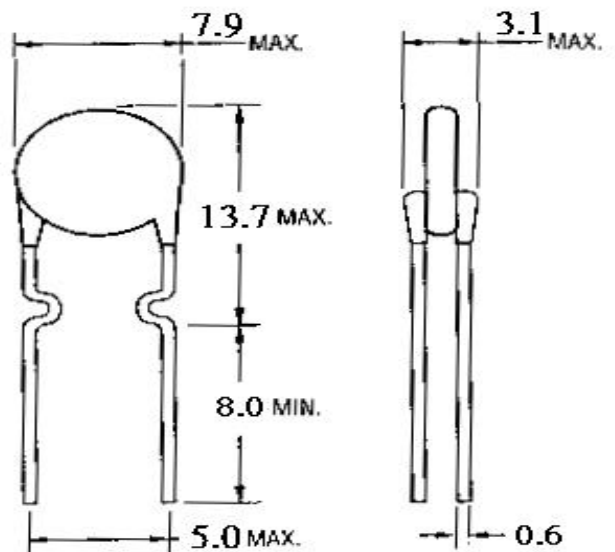
## LP60-050 PTC RESETTABLE OVERCURRENT PROTECTOR

### APPLICATION:

Almost anywhere there is a low voltage power supply and a load to be protected including:

- DC MOTOR DRIVE CIRCUIT
- COMPUTERS & PERIPHERALS
- GENERAL ELECTRONICS EQUIPMENT
- AUTOMOTIVE APPLICATION

### PRODUCT DIMENSIONS PACKAGE: 1



### ELECTRICAL CHARACTERISTICS:

- $I_{max}$  ..... 40A
- $V_{max}$  ..... 60VOLTS
- $I_{hold}$  ..... 0.5A max @ 23
- $I_{trip}$  ..... 1.0A min @ 23

### RESISTANCE

- $R_{initial}$  ..... 0.41OHM MIN  
0.77 OHM MAX
- Time to trip ..... 4.0SEC
- $P_D$  ..... 0.77W

DIMENSIONS: mm

### NOTE:

### Measured Values

\* DIRECT REPLACE: BOURNS MF-R050  
: RAYCHEM RXE050

$I_H$ – Hold current	Maximum current device will pass without interruption in 23 still air.
$I_T$ – Trip current	Min. current which will switch the device from low to high resistance in 23 still air.
$I_{max}$	Maximum fault current the device can withstand without damage at rated voltage.
$V_{max}$	Maximum voltage the device can withstand without damage at rated current.
$P_D$	Power dissipated from the device when in the tripped state in 23 still air.
Initial Resistance	Device resistance as received from the factory.

## MOBICON GROUP