

SUN™

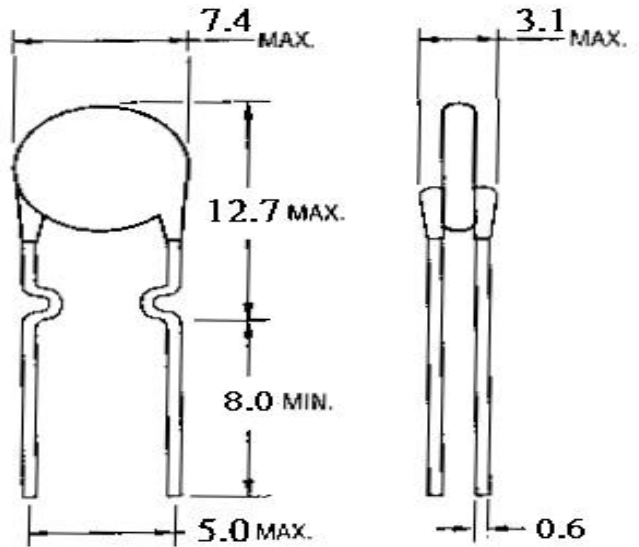
LP60-025 PTC RESETTABLE OVERCURRENT PROTECTOR

APPLICATION:

Almost anywhere there is a low voltage power supply and a load to be protected including:

- DC MOTOR DRIVE CIRCUIT
- COMPUTERS & PERIPHERALS
- GENERAL ELECTRONICS EQUIPMENT
- AUTOMOTIVE APPLICATION

PRODUCT DIMENSIONS PACKAGE: 1



DIMENSIONS: mm

ELECTRICAL CHARACTERISTICS:

- I_{max} 40A
- V_{max} 60VOLTS
- I_{hold} 0.25A max @ 23
- I_{trip} 0.5A min @ 23

RESISTANCE

- $R_{initial}$ 1.0 OHM MIN
1.95 OHM MAX
- Time to trip 2.5 SEC
- P_D 0.45W

NOTE:

Measured Values

- I_H – Hold current Maximum current device will pass without interruption in 23 still air.
- I_T – Trip current Min. current which will switch the device from low to high resistance in 23 still air.
- I_{max} Maximum fault current the device can withstand without damage at rated voltage.
- V_{max} Maximum voltage the device can withstand without damage at rated current.
- P_D Power dissipated from the device when in the tripped state in 23 still air.
- Initial Resistance Device resistance as received from the factory.

*** DIRECT REPLACE: BOURNS MF-R025
: RAYCHEM RXE025**

MOBICON GROUP