

# SUN™

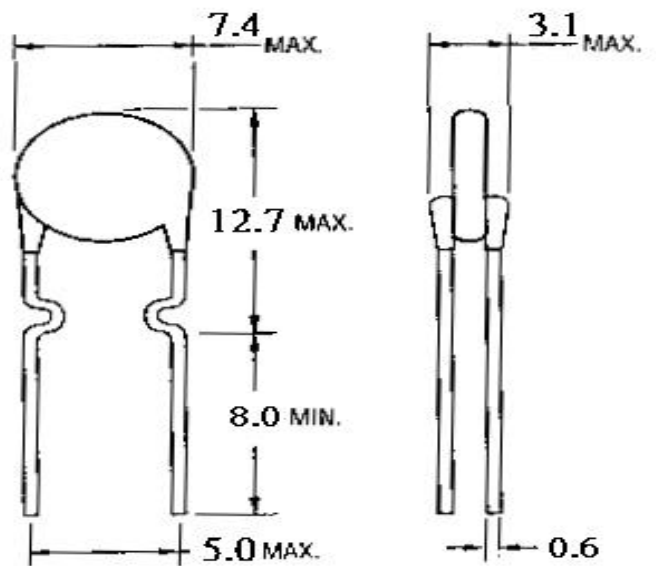
## LP60-017 PTC RESETTABLE OVERCURRENT PROTECTOR

### APPLICATION:

Almost anywhere there is a low voltage power supply and a load to be protected including:

- DC MOTOR DRIVE CIRCUIT
- COMPUTERS & PERIPHERALS
- GENERAL ELECTRONICS EQUIPMENT
- AUTOMOTIVE APPLICATION

### PRODUCT DIMENSIONS PACKAGE: 1



DIMENSIONS: mm

### ELECTRICAL CHARACTERISTICS:

- $I_{max}$  ..... 40A
- $V_{max}$  ..... 60VOLTS
- $I_{hold}$  ..... 0.17A max @ 23
- $I_{trip}$  ..... 0.34A min @ 23

### RESISTANCE

- $R_{initial}$  ..... 2.0 OHM MIN  
3.2 OHM MAX
- Time to trip ..... 3.0 SEC
- $P_D$  ..... 0.48W

### NOTE:

### Measured Values

\* DIRECT REPLACE: BOURNS MF-R017  
: RAYCHEM RXE017

$I_H$ – Hold current	Maximum current device will pass without interruption in 23 still air.
$I_T$ – Trip current	Min. current which will switch the device from low to high resistance in 23 still air.
$I_{max}$	Maximum fault current the device can withstand without damage at rated voltage.
$V_{max}$	Maximum voltage the device can withstand without damage at rated current.
$P_D$	Power dissipated from the device when in the tripped state in 23 still air.
Initial Resistance	Device resistance as received from the factory.

## MOBICON GROUP