

# SUN™

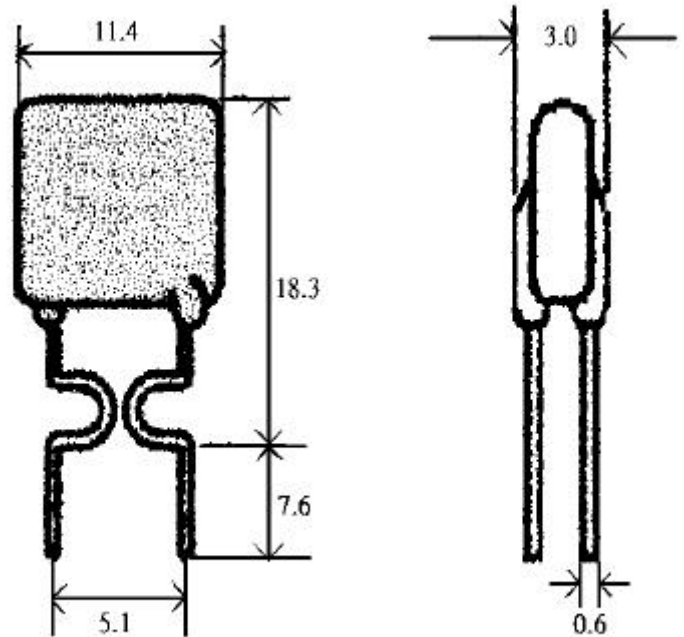
## LP30-300 PTC RESETTABLE OVERCURRENT PROTECTOR

### APPLICATION:

Almost anywhere there is a low voltage power supply and a load to be protected including:

- DC MOTOR DRIVE CIRCUIT
- COMPUTERS & PERIPHERALS
- GENERAL ELECTRONICS EQUIPMENT
- AUTOMOTIVE APPLICATION

### PRODUCT DIMENSIONS PACKAGE: 2



DIMENSIONS: mm

### ELECTRICAL CHARACTERISTICS:

- $I_{max}$ ..... 40A
- $V_{max}$ ..... 30VOLTS
- $I_{hold}$ ..... 3.0A max @ 23
- $I_{trip}$ ..... 6.0A min @ 23

### RESISTANCE

- $R_{initial}$ ..... 0.02OHM MIN  
0.05 OHM MAX
- Time to trip..... 10.8SEC
- $P_D$ ..... 2.01W

**\* DIRECT REPLACE: RAYCHEM RUE300**

### NOTE:

### Measured Values

$I_H$ – Hold current	Maximum current device will pass without interruption in 23 still air.
$I_T$ – Trip current	Min. current which will switch the device from low to high resistance in 23 still air.
$I_{max}$	Maximum fault current the device can withstand without damage at rated voltage.
$V_{max}$	Maximum voltage the device can withstand without damage at rated current.
$P_D$	Power dissipated from the device when in the tripped state in 23 still air.
Initial Resistance	Device resistance as received from the factory.

## MOBICON GROUP