

SUN™

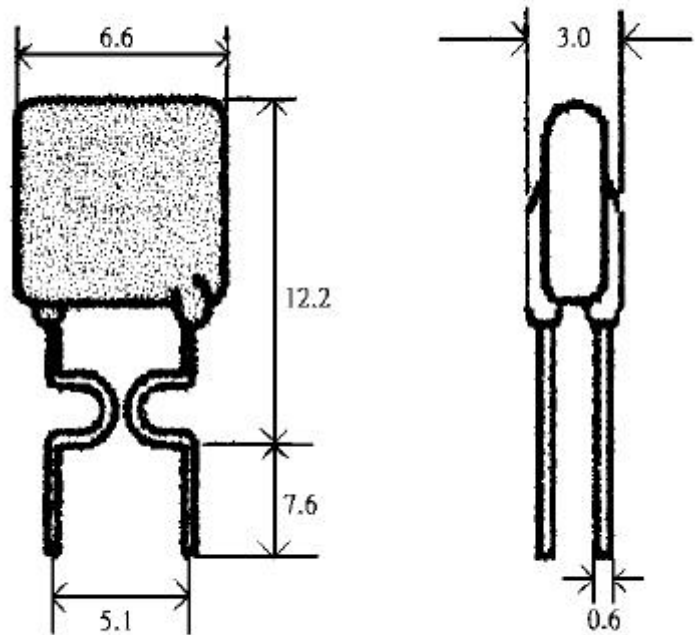
LP30-135 PTC RESETTABLE OVERCURRENT PROTECTOR

APPLICATION:

Almost anywhere there is a low voltage power supply and a load to be protected including:

- DC MOTOR DRIVE CIRCUIT
- COMPUTERS & PERIPHERALS
- GENERAL ELECTRONICS EQUIPMENT
- AUTOMOTIVE APPLICATION

PRODUCT DIMENSIONS PACKAGE: 2



DIMENSIONS: mm

ELECTRICAL CHARACTERISTICS:

- I_{max} 40A
- V_{max} 30VOLTS
- I_{hold} 1.35A max @ 23
- I_{trip} 2.7A min @ 23

RESISTANCE

- $R_{initial}$ 0.04OHM MIN
0.08 OHM MAX
- Time to trip 7.3SEC
- P_D 0.81W

*** DIRECT REPLACE: RAYCHEM RUE135**

NOTE:

Measured Values

| | |
|----------------------|--|
| I_H – Hold current | Maximum current device will pass without interruption in 23 still air. |
| I_T – Trip current | Min. current which will switch the device from low to high resistance in 23 still air. |
| I_{max} | Maximum fault current the device can withstand without damage at rated voltage. |
| V_{max} | Maximum voltage the device can withstand without damage at rated current. |
| P_D | Power dissipated from the device when in the tripped state in 23 still air. |
| Initial Resistance | Device resistance as received from the factory. |

MOBICON GROUP