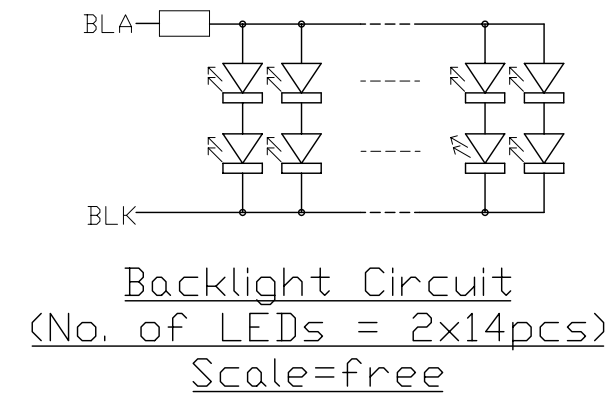
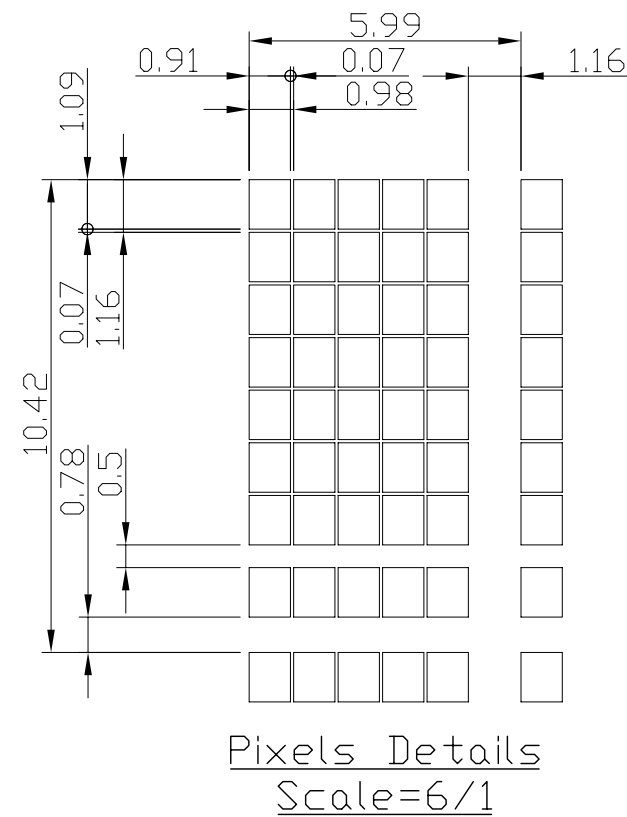
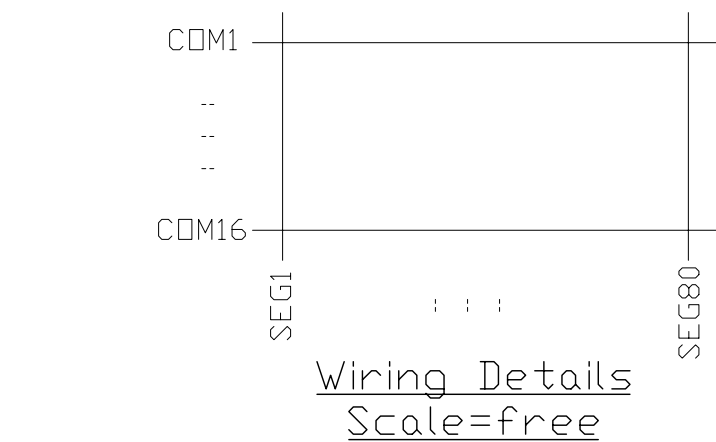


No.	Pin Name	Terminal
1	VSS	
2	VDD	
3	V0	
4	RS	
5	R/W	
6	E	
7	DB0	
8	DB1	
9	DB2	
10	DB3	
11	DB4	
12	DB5	
13	DB6	
14	DB7	
15	BLK(BLA)	*7
16	BLA(BLK)	*7



- Note:
- \*1. LCD Display Type : STN, Positive, Transflective
  - \*2. Viewing Direction : 6H
  - \*3. Operating Voltage : 5.0V
  - \*4. Duty : 1/16 , Bias : 1/5
  - \*5. Operating Temperature : 0°C ~ 60°C  $\triangle$
  - \*6. Storage Temperature : -10°C ~ 70°C  $\triangle$
  - \*7. Backlight Polarity : LMB162GDC = 15-BLK, 16-BLA  
LMB162GDC-1 = 15-BLA, 16-BLK

C		
B		
A	-Revise TOP & TST	2004-02-03 Li Shuai
Rev/Note		Date
Dwg Title	LMB162G Outline Dwg	
Dwg No.	MK-000328a-1-1	Date 2003-11-27
Scale	Tol. $\pm 0.5$	Unit mm Paper Size A3
Approved	Checked	Drawn Li Shuai

**TOPWAY**