

UTC LM358 LINEAR INTEGRATED CIRCUIT

DUAL OPERATIONAL AMPLIFIER

DESCRIPTION

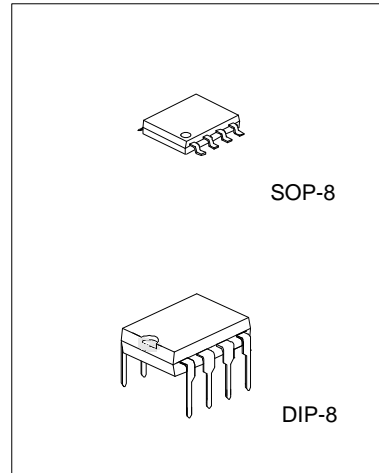
The UTC LM358 consists of two independent high gain, internally frequency compensated operational amplifier. It can be operated from a single power supply and also split power supplies.

FEATURES

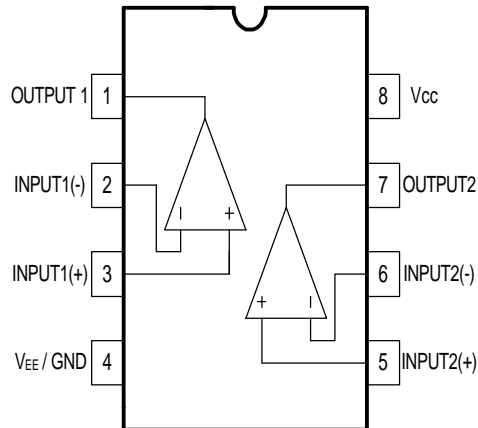
- *Internally frequency compensated for unity gain.
- *Wide power supply range 3V - 32V.
- *Input common-mode voltage range include ground.
- *Large DC voltage gain.

APPLICATIONS

- *General purpose amplifier.
- *Transducer amplifier.

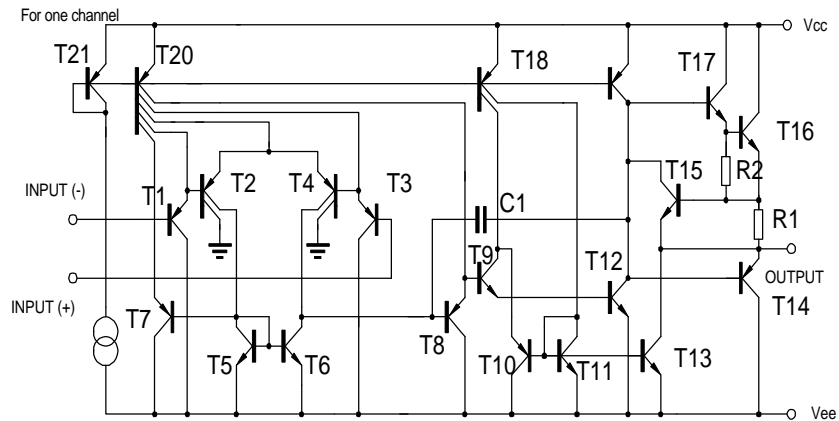


PIN CONFIGURATIONS



UTC LM358 LINEAR INTEGRATED CIRCUIT

BLOCK DIAGRAM



ABSOLUTE MAXIMUM RATINGS

PARAMETER	SYMBOL	VALUE	UNIT
Supply Voltage	V _{cc}	+16 or 32	V
Differential Input Voltage	V _{I(DIFF)}	+32	V
Input Voltage	V _I	-0.3 ~ +32	V
Output Short to Ground		Continuous	
Operating Temperature Range	TOPR	0 ~ +70	°C
Storage Temperature Range	TSTG	-65 ~ +150	°C

ELECTRICAL CHARACTERISTICS ($V_{CC}=5.0V, V_{EE}=GND, T_A=25^{\circ}C$, unless otherwise specified) ©

PARAMETER	SYMBOL	TEST CONDITION	MIN	TYP	MAX	UNIT
Input Offset Voltage	VIO	VCM=0V to VCC-1.5V VO(P)=1.4V, RS=0Ω		2.9	7.0	mV
Input Offset Current	IIO			5	50	nA
Input Bias Current	IBIAS			45	250	nA
Input Common Mode Voltage	VI(R)	VCC=30V	0		VCC-1.5	V
Power Supply Current	ICC	RL=∞, VCC=30V		0.8	2.0	mA
		RL=∞, Full Temperature Range		0.5	1.2	mA
Large Signal Voltage Gain	GV	VCC=15V, RL>=2KΩ VO(P)=1V to 11V	25	100		V/mV
Output Voltage Swing	VO(H)	VCC=30V, RL=2KΩ	26			V
		VCC=30V, RL=10KΩ	27	28		V
	VO(L)	VCC=5V, RL>=10KΩ		5	20	mV
Common Mode Rejection Ratio	CMRR		65	80		dB
Power Supply Rejection Ratio	PSRR		65	100		dB
Channel Separation	CS	f=1KHZ to 20KHZ		120		dB
Short Circuit Current to Ground	ISC			40	60	mA
Output Current	ISOURCE	VI(+)=1V, VI(-)=0V VCC=15V, VO(P)=2V	10	30		mA
	ISINK	VI(+)=0V, VI(-)=1V VCC=15V, VO(P)=2V	10	15		mA
		VI(+)=0V, VI(-)=1V VCC=15V, VO(P)=200mV	12	100		mA
Differential Input Voltage	VI(DIFF)				VCC	V

UTC LM358 LINEAR INTEGRATED CIRCUIT

TYPICAL PERFORMANCE CHARACTERISTICS

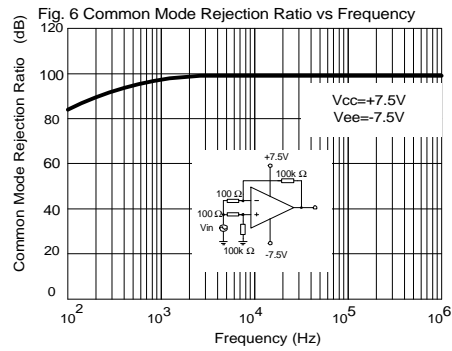
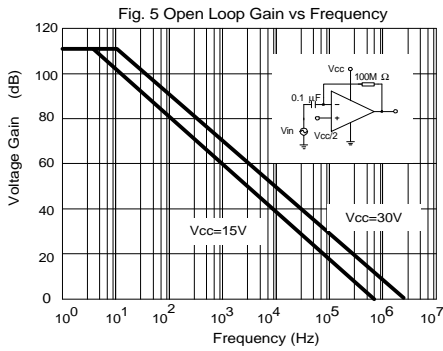
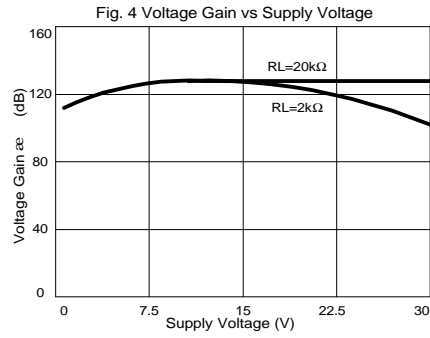
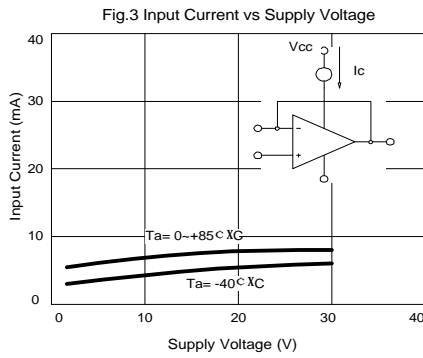
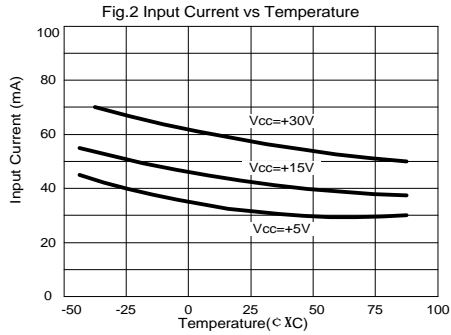
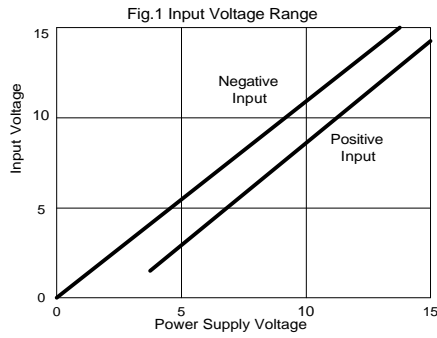


Fig. 7 Voltage Follower Pulse Response

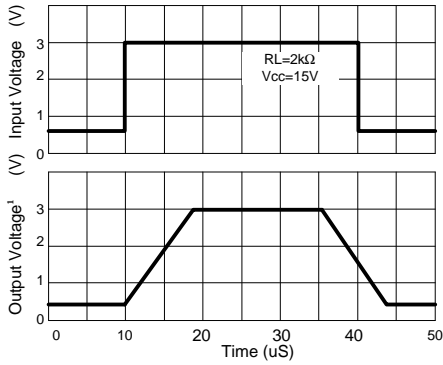


Fig. 8 Voltage Follower Response (Small Signal)

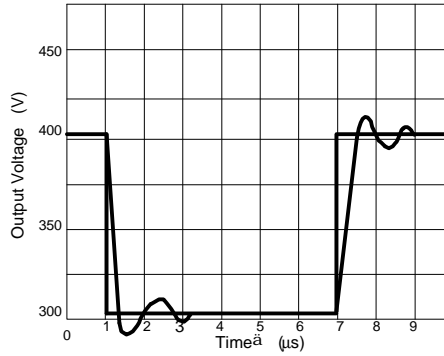


Fig. 9 Gain vs Large Signal Frequency

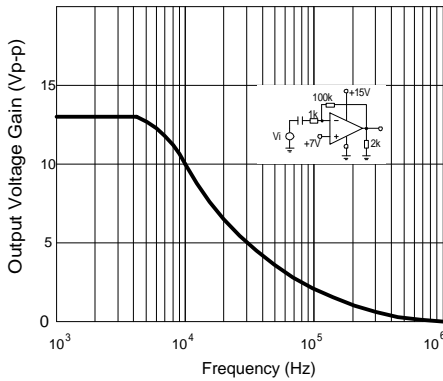


Fig. 10 Output Current Sinking vs Output Voltage

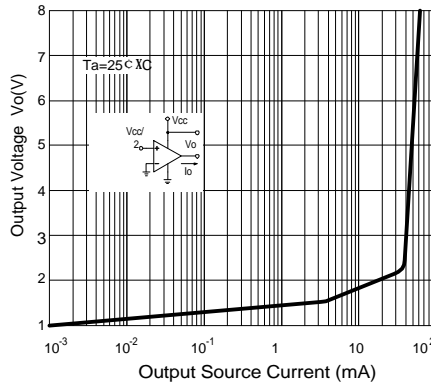


Fig. 11 Output Sink Current vs Output Voltage

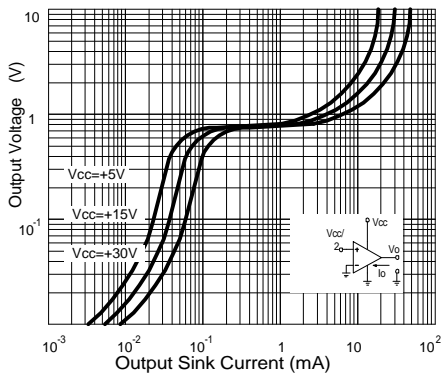
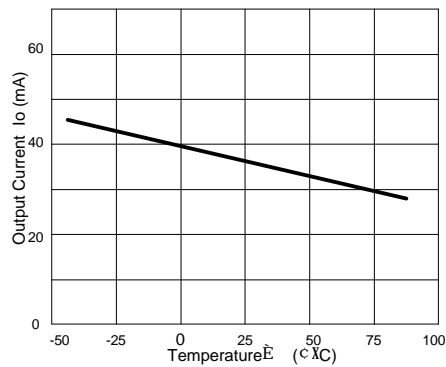


Fig. 12 Current Limiting vs Temperature



This datasheet has been download from:

www.datasheetcatalog.com

Datasheets for electronics components.