

# 佛山市安捷伦电器有限公司

曾令平13434878976

## 产品规格书

SPECIFICATION

产品型号MODEL NO:	KBQ-02B压力开关 pressure switch	页码PAGE NO:	1/3
额定值RATING			
1	概述		
	1.1适用范围APPLICATION	此规格书适应电子及电器设备上真空压力的开关 THIS SPECIFICATION IS APPLIED TO SWITCH USED FOR ELETRONIC EQUIPMENT AND APPLIANCE	
	1.2适应温度 APPLICATION TEMPERATURE	-20 -- +85℃	
2	1.3测试条件 TEST CONDITION	环境温度TEMPERATURE: 0-85℃ 相对湿度HUMIDITY: 35%-85%RH 气压AIR PRESSURE: 86KP-106KP	
	外观APPEARANCE	应有良好的成型，无锈蚀，无裂纹和电镀脱落 SHOULDED HAVE GOOD FINISHING AND NO RUST, CRACK OR PLATING FAILURES	
4	压力范围	-75KP(±5%) 和 50KPA(+5%)	
	电器性能ELETRICAL PERFORMANCE		
	4.1额定电压 Rated voltage		250V
	4.2额定电流 Rated current		20MA
	4.3接触电阻 CONTACT RESISTANCE	在无负载的条件下，操作数次后，用电压降法，以1A，5V DC进行测试 SHALL BE MEASURED AT 1A 5V DC BY VOLTAGE DROP METHOD AFTER SOME OPERATIONS WITHOUT LOAD	
4.4绝缘电阻 INSULATION RESISTANCE	测试电压：500V DC 1分钟正负5秒 TEST VOLTAGE :500V DC 1MIN+-5S 测试位置：在开路端子之间 端子与基座间 TEST POSITION:BETWEEN ALL TERMINALS BETWEEN TERMINALS AND BASE		≥500MΩ
4.5耐压测试 WITHSTAND VOLTAGE	测试位置：在开路端子之间 端子与基座之间 TEST POSITION:BETWEEN ALL TERMINALS BETWEEN TERMINALS AND BASE 在开路端子间：1500V AC (50-60HZ)5S 在端子与外壳间：3000V AC (50-60HZ)5S 漏电电流：10MA BETWEEN ALL TERMINALS:1500V AC (50-60HZ)5S BETWEEN TERMINALS AND BASE:3000V AC (50-60HZ)5S LEAKAGE CURRENT:10MA		无击穿飞弧现象 NO DIELECTRIC BREAKDOWN SHALL OCCUR

# 佛山市安捷伦电器有限公司

曾令平13434878976

## 产品规格书

### SPECIFICATION

产品型号MODEL NO:	KBQ-02B压力开关	页码PAGE NO:	2/3
5	机械性能 MECHANICAL PERFORMANCE		
	5.1端子强度 TERMINAL STRENGTH	20N的力垂直作用于端子顶部1分钟 A 20N SHALL BE APPLIED TO THE TOP OF TERMINAL IN A DESIRED DIRECTION FOR 1MIN	端子无松动损坏并符合第四项要求 TERMINAL CAN'T LOOSENESS, DAMAGE AND BREAKAGE ,AND ACCORDING TO ITEM4
	5.2耐振动性 VIBRATION	10-55HZ, 全振幅11.5mm 3个方向各2小时 10-55HZ, TOTAL AMPLITUDE 3 DIRECTION FOR 2H EACH	不应有外观变形或动作异常的现象, 并符合第四项的要求 NO ABNORMALITIES SHALL BE OBSERVED IN APPEARANCE AND OPERATION AND ACCORDING TO ITEM4
	5.3可焊接性 SOLDER ABILITY	230±10℃ 3±1秒	浸渍部分≥75%的面积有焊锡 MORE THAN 75%
	5.4耐焊性 WITHSTAND SOLDERING HEAT	焊炉式DIP SOLDERING:260±10℃ 3±1S 手焊式MANUAL SOLDERING:350±10℃ 5±1S	端子无松动损坏并符合第四项要求 TERMINAL CAN'T LOOSENESS, DAMAGE AND BREAKAGE ,AND ACCORDING TO ITEM4
6	耐久性能DURABILITY PERFORMANCE (额定条件下)		
	6.1动作寿命OPERATING LIFE	10000 CYCLES	功能正常FUNCTION PROPERLY
	6.2耐寒性 COLD ENDURANCE	-20℃±2℃ FOR 96H	绝缘电阻INSULATION RESISTANCE:100MΩ MIN 耐压符合4.3项 WITHSTAND VOLTAGE ACCORDING TO ITEM4.3
	6.3耐热性 HEAT ENDURANCE	85±2℃ FOR 96H	不应有外观变形或动作异常的现象 NO ABNORMALITIES SHALL BE OBSERVED IN APPEARANCE AND OPERATION
	6.4耐湿性 HUMIDITY ENDURANCE	40±2℃ 90-95%RH FOR 96H	

#### 注意事项: NOTE

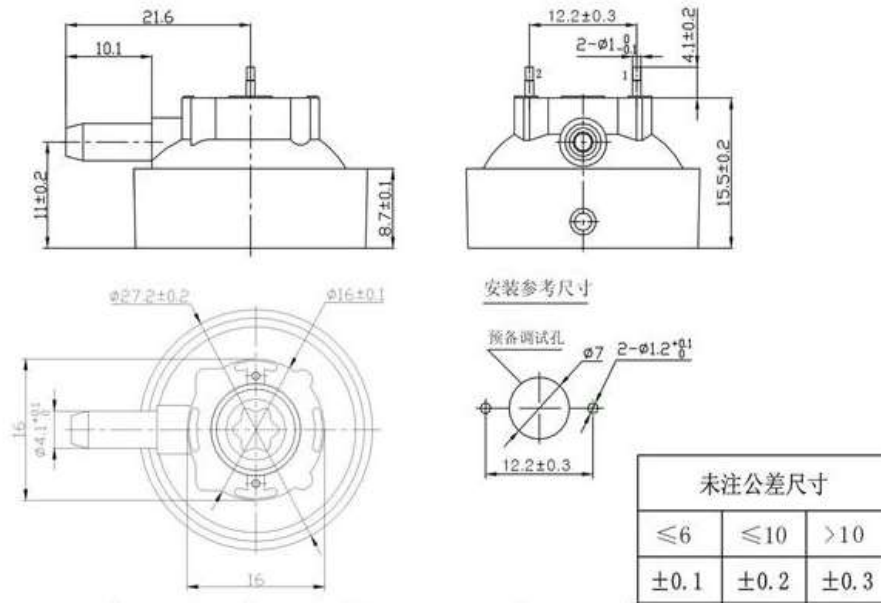
1、如需焊接, 应避免使用液态焊剂, 否则容易腐蚀。

USE OF WATER-SOLUBLE SOLDERING FLUX BE AVOIDED BECAUSE IT MAY CAUSE CORROSION

2、如长期储存超过6个月以上, 应用塑料袋讲产品密闭, 且储存在阴暗干燥处。

IF STORED MORE THAN 6 MONTHS, PRODUCTIONG MUST BE IN A PLASTIC BAG AND IN A PLACE OF COOL AND DARK

附图一、外形尺寸图(The Physical size)：尺寸请以实物样板为准，图纸尺寸仅供参考。



附图二：实物图片 (Product Photo Show)：

产品颜色会根据需要可能会变化，以实际产品颜色为准

