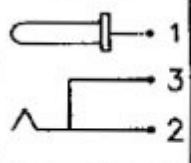
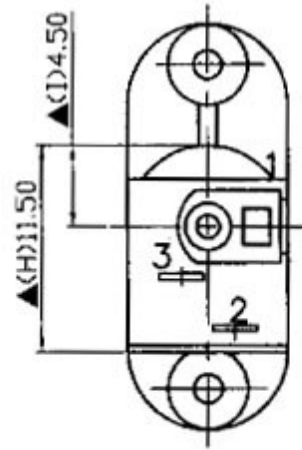
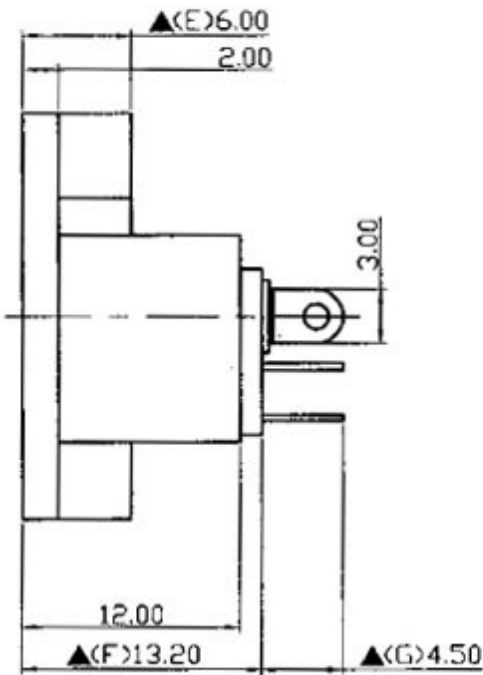
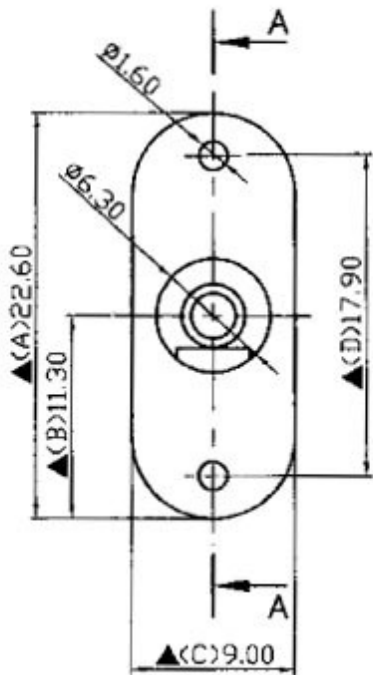
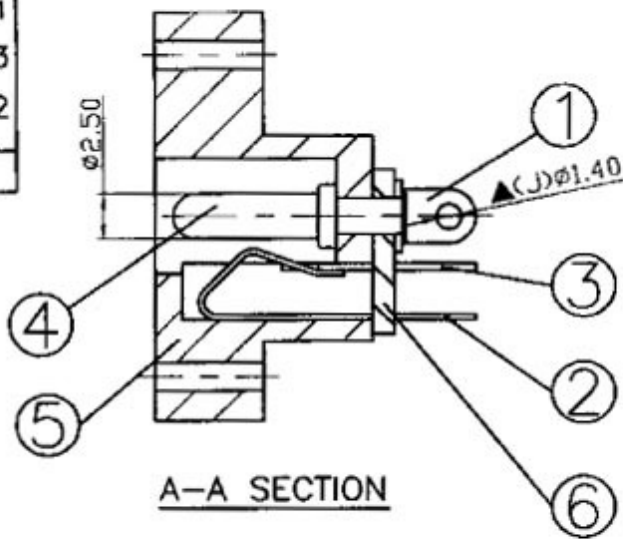


SCHEMATIC	
MODEL NO	C



6.	Cover	1.0T Bakelite	1	Black Color
5.	Housing	PBT	1	Black Color
4.	Pin(2.5φ)	Copper	1	Nikel Plated
3.	Break Terminal	0.3T Brass	1	Silver Plated
2.	Sleeve Spring Terminal	0.2T Phosphor Bronze	1	Silver Plated
1.	Pin Terminal	0.4T Brass	1	Silver Plated
NO.	Description	Material	Q'TY	Finish

SPECIFICATIONS:

Contact Resistance : 30mΩ max

Current Rating : Max 2.0A , 16VDC

Insulation Resistance : 100MΩ min. at DC 500V

Dielectric Withstand Voltage : AC 500V for one minute

Remark: ▲ : The Most Important Dimension

RoHS Compliant

SHALLIN ELECTRONICS CO., LTD.					DATE	DWN	CHKD	APVD	MANAGER
					01.19.2011	李世強			

PART NAME : DC POWER JACK			PART NUMBER: K375R			VERSION: 6.0		
TOLERANCE : ±0.3mm UNLESS OTHERWISE SPECIFIED						UNIT: mm		SCALE: 1/1