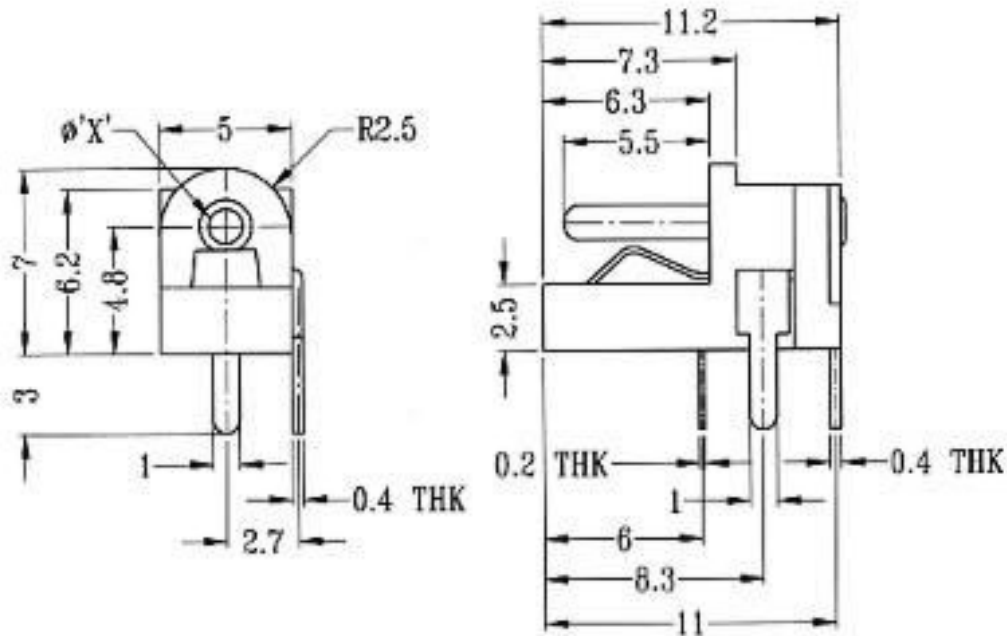
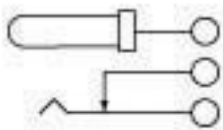


# K37211

DIA.OF PIN\* $\phi$ \*D=1.3mm



## CIRCUIT DIAGRAM



## SPECIFICATIONS

Rating: 0.3 30V DC