

# GFE/GFP-A

5.2 $\varnothing$  x 20 mm

Fast-Acting Fuse



## Agency Approvals

Agency	Ampere Rating
UL Listed	200mA - 10A
CSA Certified	200mA - 10A
PSE	GFE: 1A - 5A (125V / 250V) 6A - 10A (250V) GFP-A: 1A - 10A (125V / 250V)

## Interrupting Rating

200mA - 10A:	10,000 amperes at 125V AC
200mA - 1A:	35 amperes at 250V AC
1.1A - 3.5A:	100 amperes at 250V AC
3.6A - 10A:	200 amperes at 250V AC

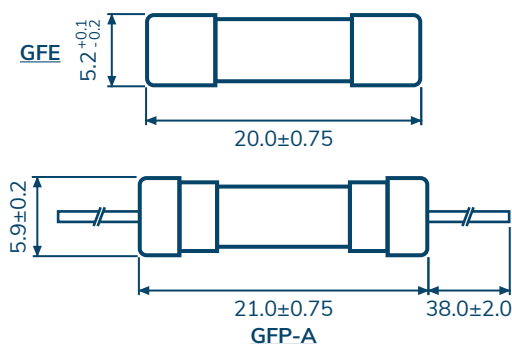
## Product Characteristics

Operating Temperature	-55 °C to 125 °C
Material	Body: Glass Caps: Nickel Plated Brass
Leads Wire	$\varnothing$ 0.8 mm 14A and less. $\varnothing$ 1.0 mm for rating above 15A to 19A. $\varnothing$ 1.2 mm for rating above 20A.

## Packaging

Packaging Option	Quantity
Bulk	GFE: 1,000 pcs / box GFP-A: 500 pcs / box
On Axial Tape & Reel	1,000 pcs / box

## Mechanical Dimensions (mm)



## Electrical Characteristics

Ampere Rating	Opening Time		
	1 In	1.35 In	2 In
	MIN	MAX	MAX
200mA - 20A	4 hr	1 hr	5 sec

Catalog Number	Ampere Rating (A)	Voltage Rating (V)	Nominal Cold Resistance (Ohms)	Nominal Melting I <sup>2</sup> t (A <sup>2</sup> sec.)
GFE / GFP-A .200	200mA	250V	3.4980	0.0085
GFE / GFP-A .250	250mA		2.3610	0.0142
GFE / GFP-A .300	300mA		1.9400	0.0197
GFE / GFP-A .315	315mA		1.4960	0.0218
GFE / GFP-A .350	350mA		1.4466	0.0375
GFE / GFP-A .400	400mA		1.1030	0.0561
GFE / GFP-A .500	500mA		0.4195	0.0930
GFE / GFP-A .600	600mA		0.3262	0.1555
GFE / GFP-A .630	630mA		0.2853	0.2000
GFE / GFP-A .700	700mA		0.2370	0.2714
GFE / GFP-A .750	750mA		0.2107	0.3240
GFE / GFP-A .800	800mA		0.1905	0.3456
GFE / GFP-A 001	1A		0.1438	0.5940
GFE / GFP-A 1.25	1.25A		0.1029	1.1250
GFE / GFP-A 1.50	1.5A		0.0885	1.7820
GFE / GFP-A 1.60	1.6A		0.0757	2.0644
GFE / GFP-A 1.75	1.75A		0.0639	2.5110
GFE / GFP-A 002	2A		0.0588	3.2400
GFE / GFP-A 2.50	2.5A		0.0434	5.0400
GFE / GFP-A 003	3A		0.0394	7.9056
GFE / GFP-A 3.15	3.15A	0.0320	8.9303	
GFE / GFP-A 3.20	3.2A	0.0315	9.0909	
GFE / GFP-A 3.50	3.5A	0.0307	10.055	
GFE / GFP-A 004	4A	0.0288	17.510	
GFE / GFP-A 4.50	4.5A	0.0215	21.654	
GFE / GFP-A 005	5A	0.0188	25.799	
GFE / GFP-A 006	6A	0.0156	37.163	
GFE / GFP-A 6.30	6.3A	0.0152	40.692	
GFE / GFP-A 007	7A	0.0129	48.925	
GFE / GFP-A 7.50	7.5A	0.0125	59.474	
GFE / GFP-A 008	8A	0.0113	62.277	
GFE / GFP-A 009	9A	0.0099	98.450	
GFE / GFP-A 010	10A	0.0085	134.62	
GFE / GFP-A 012	12A	0.0073	212.89	
GFE / GFP-A 013	13A	0.0066	251.03	
GFE / GFP-A 015	15A	0.0052	327.32	
GFE / GFP-A 016	16A	0.0049	379.19	
GFE / GFP-A 018	18A	0.0039	482.92	
GFE / GFP-A 020	20A	0.0034	586.66	