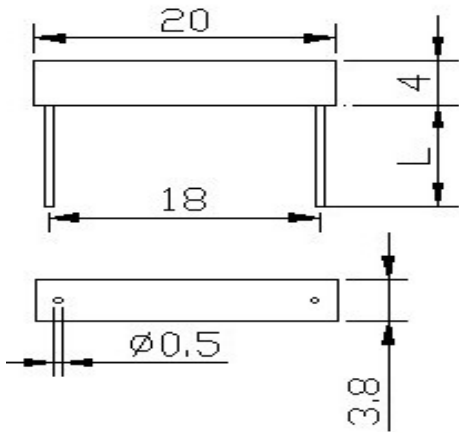
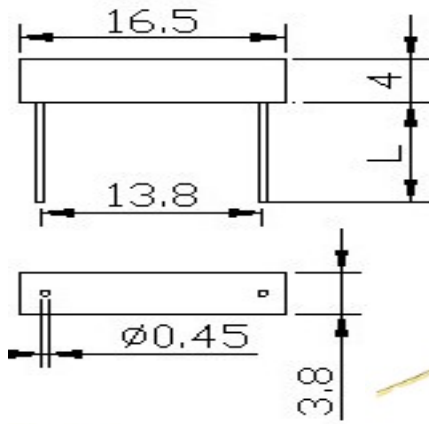


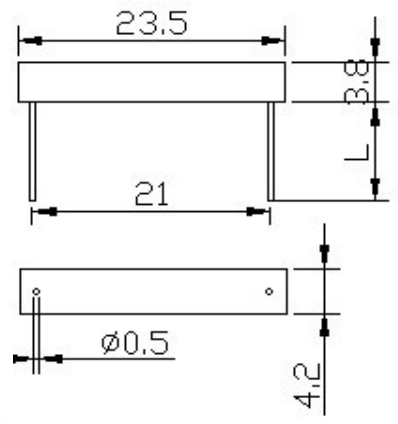
PCB/SMD Mount Reed Switch/Sensor



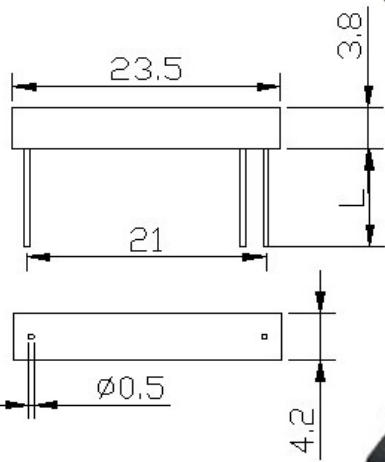
SZFAST-A



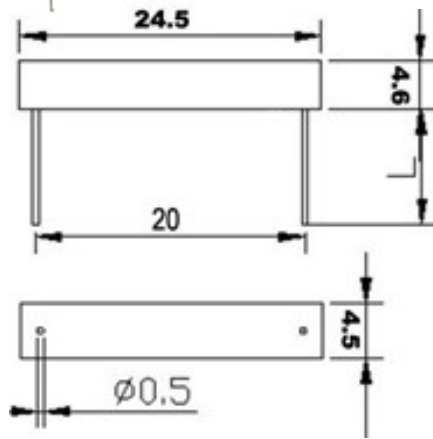
SZFAST-B



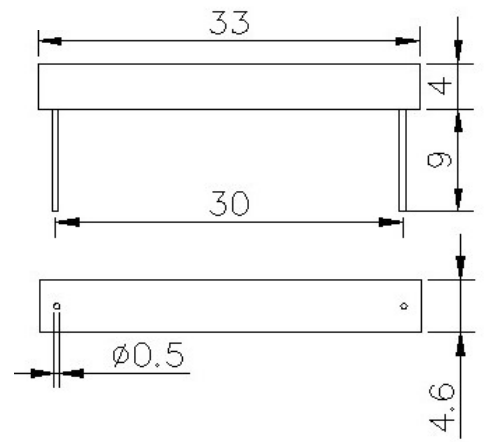
SZFAST-C



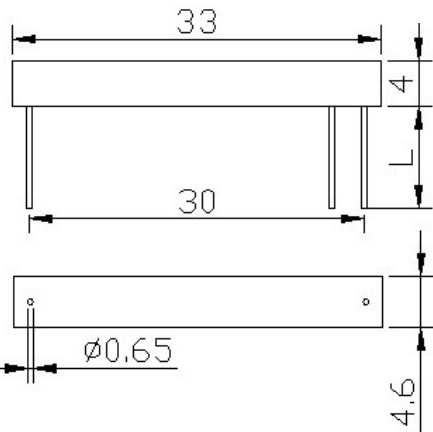
SZFAST-CC



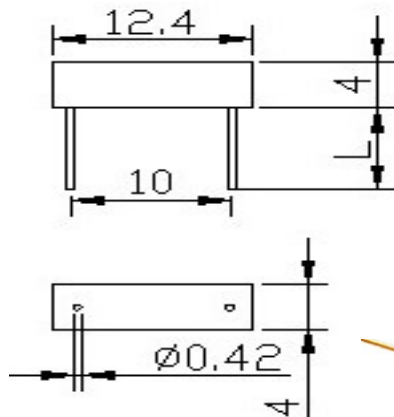
SZFAST-D



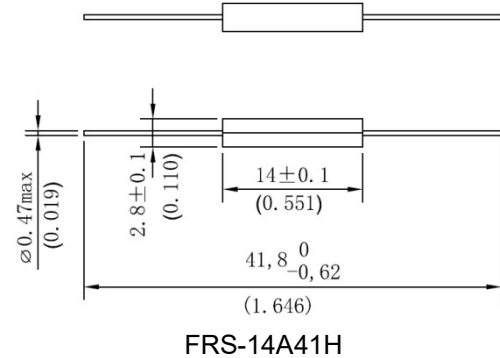
SZFAST-E



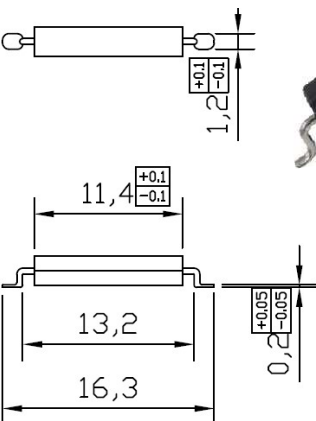
SZFAST-EC



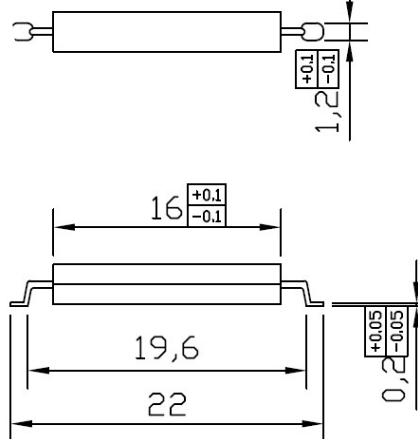
FAST-F



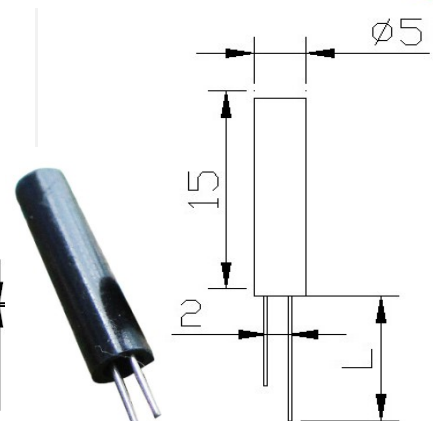
FRS-14A41H



FRS-11A16SMDH



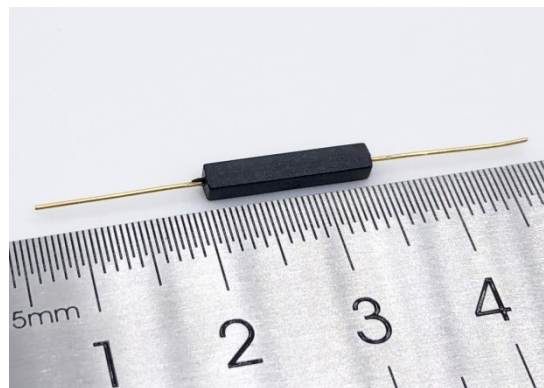
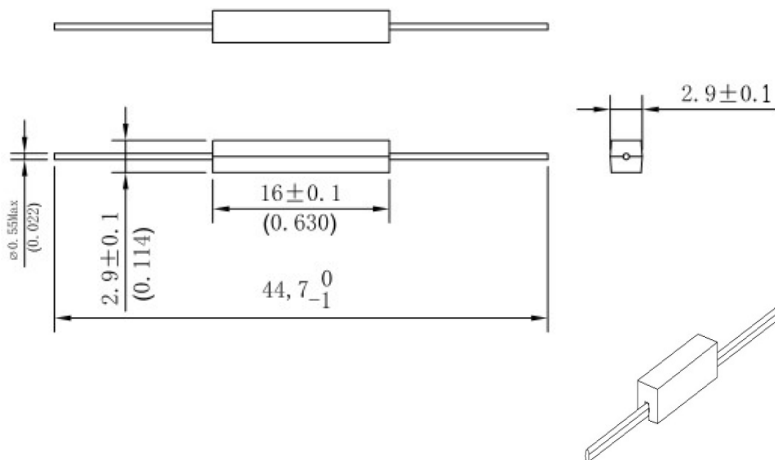
FRS-16A22SMDH



FAST-15R5

PCB/SMD Mount Reed Switch/Sensor

Product Name	Normally Open Reed Switch	Item No.	FRS-16A45H
---------------------	---------------------------	-----------------	------------



Advantages:

1. Easy installation, operate in magnetic field.
2. Passive switch, no need outer power
3. Cut through any non-iron materials.

Item Numbers	FRS-16A45H
Switch Form	Form A-SPST
Operate Range (AT)	10-15
Operate Time (ms)	1.0
Resonant Frequency (Hz)	4000
Switched Power (max.)	10
Switched Vdc/Vac (max.)	100
Switched Current (max.)	0.5
Carry Current (max.)	1.0
Breakdown Voltage (min.)	220
Contact Resist. (max.)	100
Contact Capacit. (max.)	0.7
Insulation Resist. (min.)	10 ⁸
Mould Case	Black Epoxy Resin
Sealed technique	Black Epoxy Resin
Work Temperature	-55~+230
Installation	2 leads, Plug-in