



MANTECH[®]
ELECTRONICS

FAN SCREWS
KB SERIES

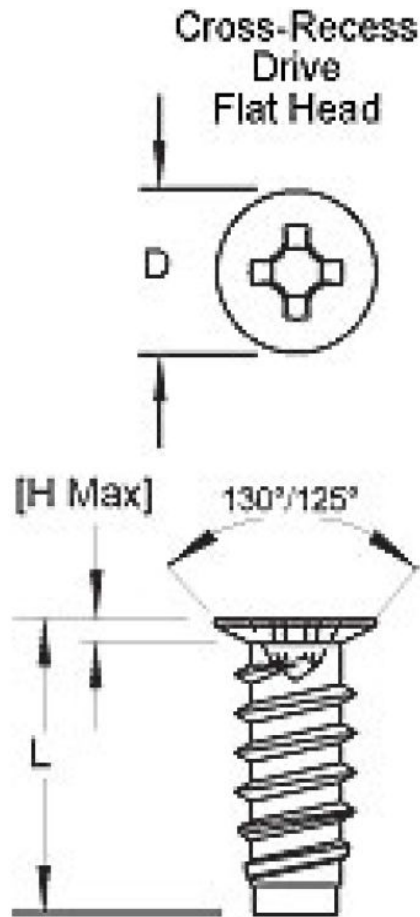
Fan screws for Computer Fans, 60SQ to 120SQ

Finish compliant with Restriction of Hazardous Substances (RoHS) Directive 2002/95/EC.

PECIFICATIONS	
Materials Finish: Heat-treated Carbon Steel	Stainless Steel Bright Nickel Zinc
Size (Type (B))	M5 ±0.1
Thread	1.6 ± 0.02
Length (L) Head Height Max (H) Head Diameter (D)	10.0 ± 0.1 1.18 ± 0.02 6.35/6.65
Recommended Hole Diameter	4.2
Flat Head (FL)	Philips N° 2

APPLICATIONS
Ideal for mounting fans to chassis or finger guards to fans. Hardened screws form threads in mild steel. Reduced-diameter point aligns multiple surfaces to be fastened.

NOTES	
1.	
2.	
3.	



These specifications are subject to change without notice.

PO BOX 260455 - EXCOM - 2023 - SOUTH AFRICA			
	Tel	Fax	email
Jhb	(011) 493-9307	(011) 493-9319	sales@mantech.co.za
Cape	(021) 535-3150	(021) 535-3828	cape@mantech.co.za
Kzn	(031) 303-4222	(031) 303-2646	kzn@mantech.co.za
www.mantech.co.za			

MANTECH ELECTRONICS, A MOBICON COMPANY