



Terminal Block

WIRE TO P.C.B. TYPE TERMINAL BLOCK

TÜV R50008092
UL E133988(R)
LR100420

ETB53 SERIES

MOUNT TYPE / BARRIER TYPE

PITCH=10mm(0.394inch)

FEATURES

- Can be supplied in any number of positions
- Special wire protector design to ensure reliable wire clamping
- UL 94V-0 grade fire retardant engineering plastic used for the housing
- Be capable of clamping a wide range of wire diameters
- Wide choice of pitch & terminal

SPECIFICATIONS

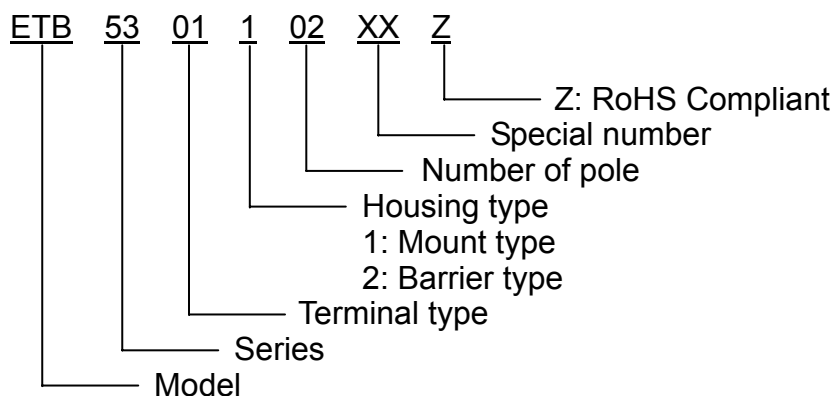
- Housing material: Thermoplastic (UL 94V-0) Black
- Terminals: Tin plated over Brass
- Screws: Nickel plated over Steel
- Dielectric strength: 2000 VAC (Min.)
- Insulation resistance: 1000 MΩ, 500 VDC



PITCH & WIRE RANGE

	SERIES	Pitch	Wire Range	Rated
UL & LR	ETB53	10mm(0.394inch)	14 AWG to 22 AWG	20 Amp, 300 VAC
TÜV	ETB53	10mm(0.394inch)	2.5mm ²	24 Amp, 450 VAC

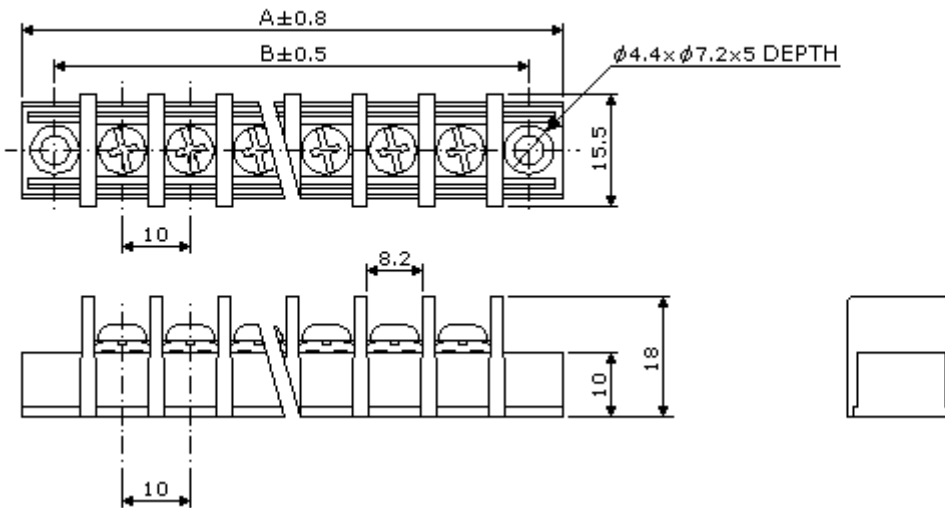
PART NUMBERING SYSTEM



■ DRAWING (MOUNT TYPE)

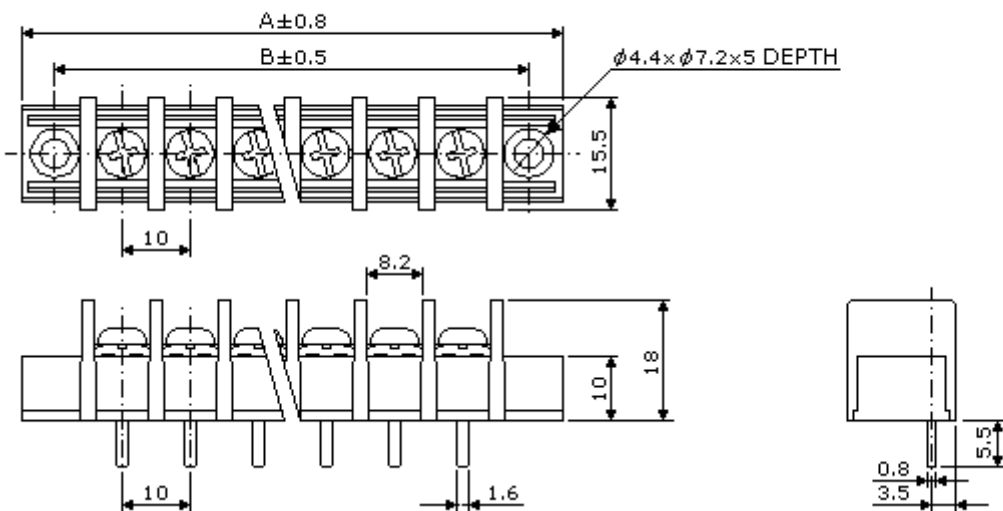
DIMENSIONS UNIT:mm(inch)

ETB53001** SERIES



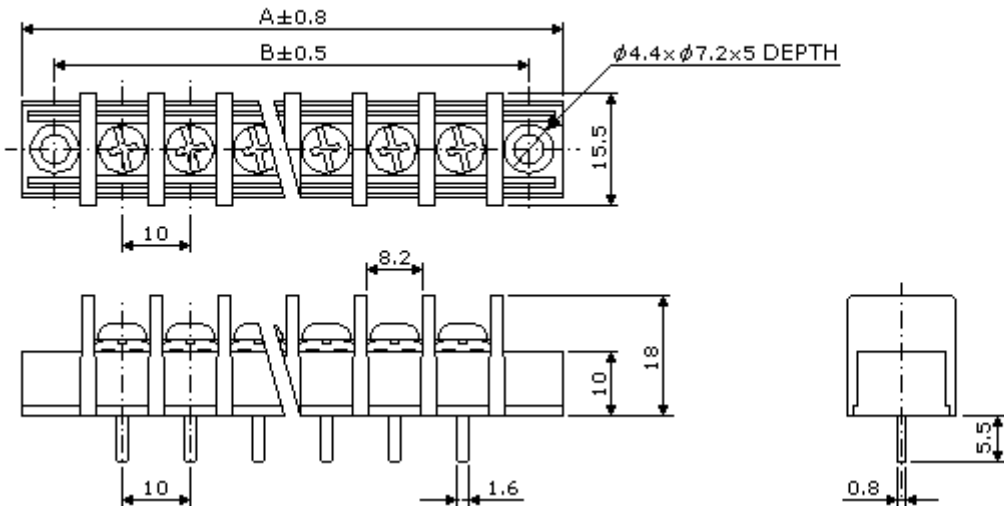
DIMENSIONS UNIT:mm(inch)

ETB53011** SERIES



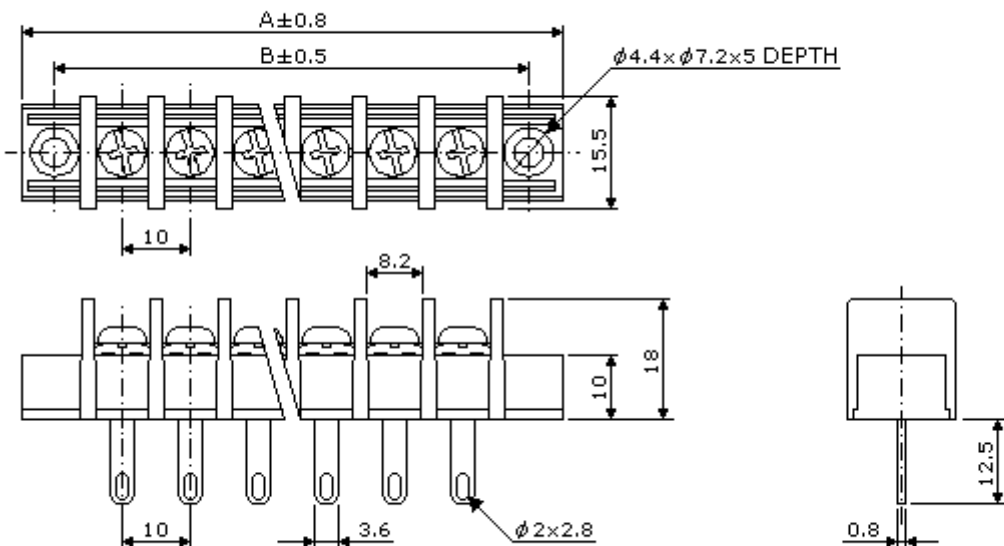
DIMENSIONS UNIT:mm(inch)

ETB53021** SERIES



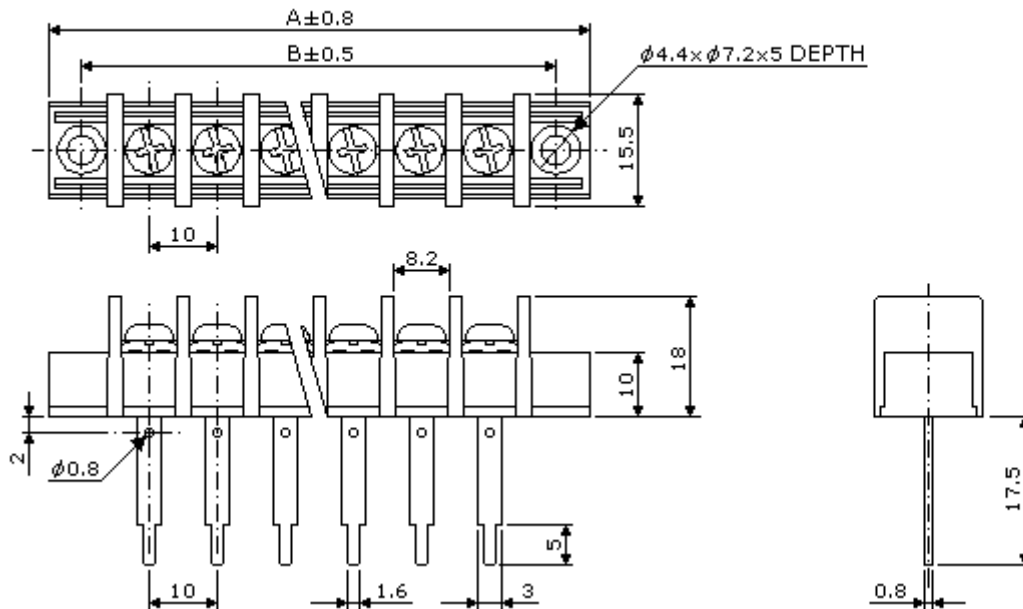
DIMENSIONS UNIT:mm(inch)

ETB53031** SERIES



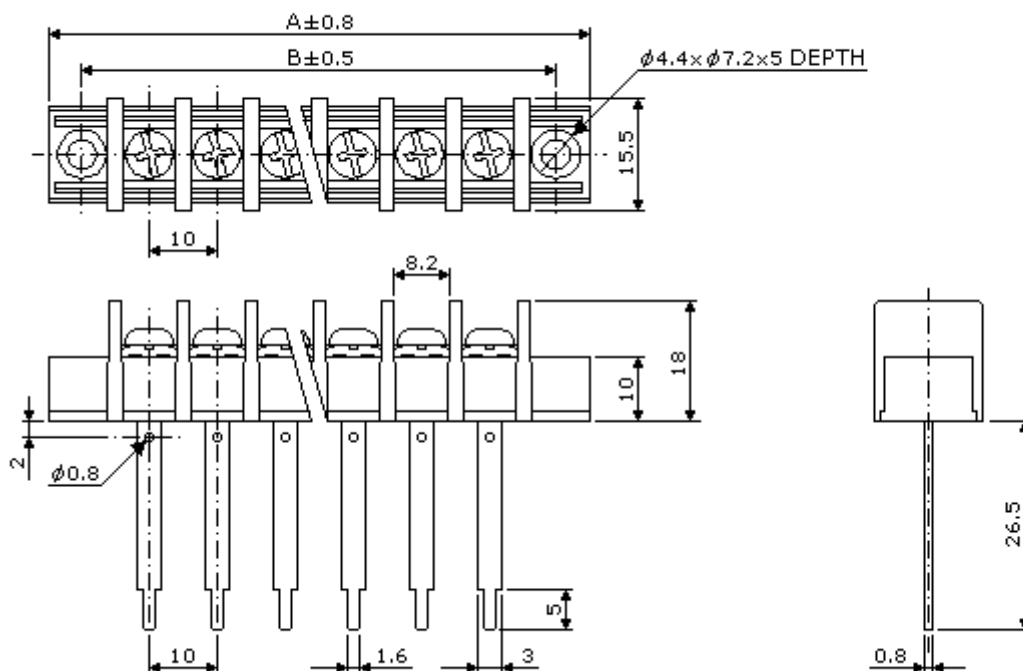
DIMENSIONS UNIT:mm(inch)

ETB53051** SERIES



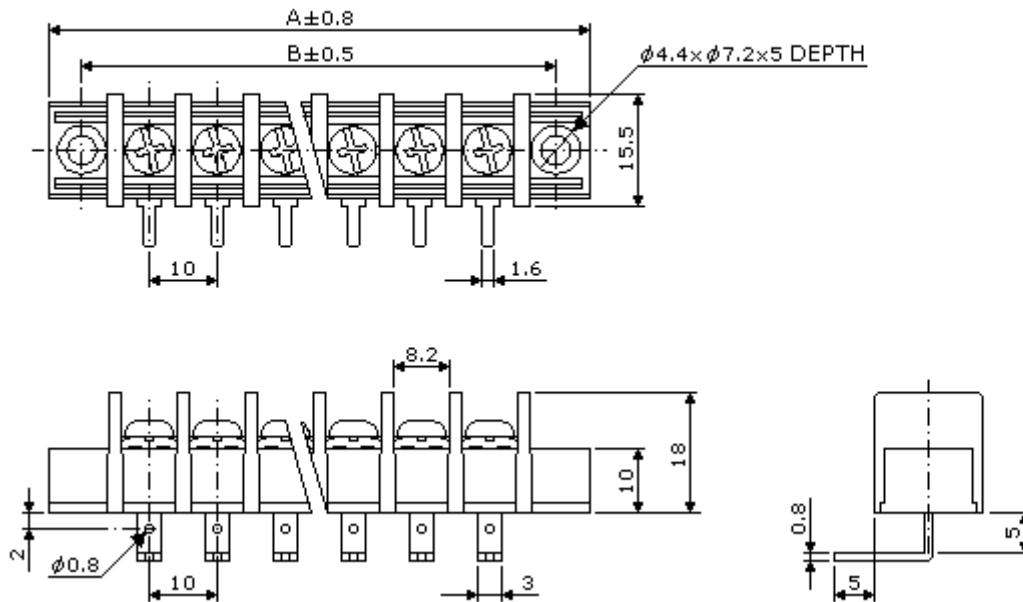
DIMENSIONS UNIT:mm(inch)

ETB53061** SERIES



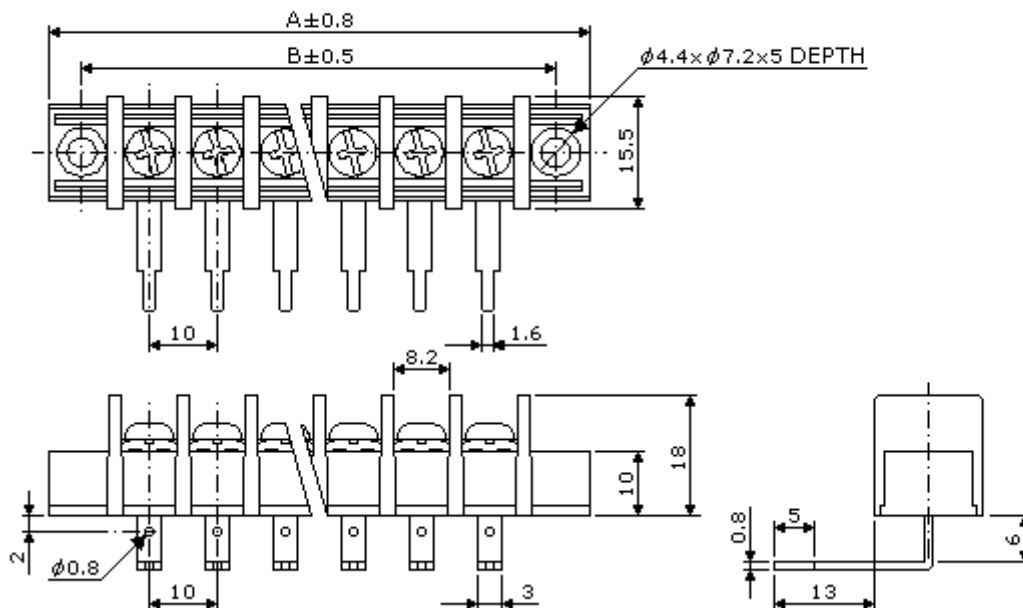
DIMENSIONS UNIT:mm(inch)

ETB53081** SERIES



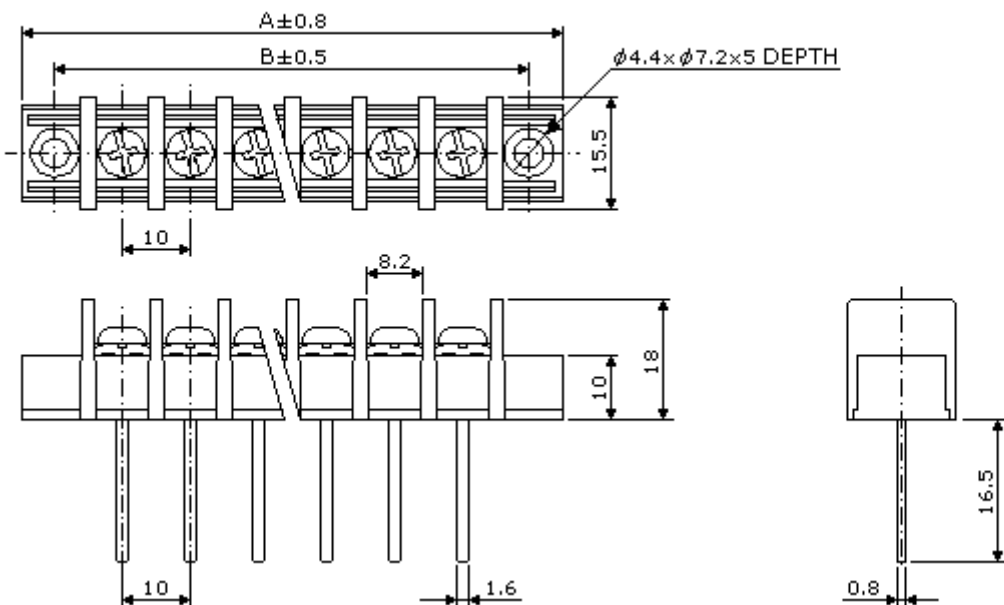
DIMENSIONS UNIT:mm(inch)

ETB53091** SERIES



DIMENSIONS UNIT:mm(inch)

ETB53101** SERIES



mm to inch

mm	0.8	1.6	2	2.8	3	3.5	3.6	4.4	5	5.5	6	7.2	8.2	10	12.5
inch	0.031	0.063	0.079	0.110	0.118	0.138	0.142	0.173	0.197	0.217	0.236	0.283	0.323	0.394	0.492
mm	13	15.5	16.5	17.5	18	26.5									
inch	0.512	0.610	0.650	0.689	0.709	1.043									

DIMENSIONS OF MOUNT TYPE: mm(inch)

**NUMBER OF POLE 02~30.

POLE	2	3	4	5	6	7	8	9	10	11	12
A±0.8	40 (1.575)	50 (1.969)	60 (2.362)	70 (2.756)	80 (3.150)	90 (3.543)	100 (3.937)	110 (4.331)	120 (4.724)	130 (5.118)	140 (5.512)
B±0.5	30 (1.181)	40 (1.575)	50 (1.969)	60 (2.362)	70 (2.756)	80 (3.150)	90 (3.543)	100 (3.937)	110 (4.331)	120 (4.724)	130 (5.118)
POLE	13	14	15	16	17	18	19	20	21	22	23
A±0.8	150 (5.906)	160 (6.299)	170 (6.693)	180 (7.087)	190 (7.480)	200 (7.874)	210 (8.268)	220 (8.661)	230 (9.055)	240 (9.449)	250 (9.843)
B±0.5	140 (5.512)	150 (5.906)	160 (6.299)	170 (6.693)	180 (7.087)	190 (7.480)	200 (7.874)	210 (8.268)	220 (8.661)	230 (9.055)	240 (9.449)
POLE	24	25	26	27	28	29	30				
A±0.8	260 (10.236)	270 (10.630)	280 (11.024)	290 (11.417)	300 (11.811)	310 (12.205)	320 (12.598)				
B±0.5	250 (9.843)	260 (10.236)	270 (10.630)	280 (11.024)	290 (11.417)	300 (11.811)	310 (12.205)				



Terminal Block

DIMENSIONS OF BARRIER TYPE: mm(inch)

**NUMBER OF POLE 02~32.

POLE	2	3	4	5	6	7	8	9	10	11	12
A±0.8	22 (0.866)	32 (1.260)	42 (1.654)	52 (2.047)	62 (2.441)	72 (2.835)	82 (3.228)	92 (3.622)	102 (4.016)	112 (4.409)	122 (4.803)
B±0.5	10 (0.394)	20 (0.787)	30 (1.181)	40 (1.575)	50 (1.969)	60 (2.362)	70 (2.756)	80 (3.150)	90 (3.543)	100 (3.937)	110 (4.331)
POLE	13	14	15	16	17	18	19	20	21	22	23
A±0.8	132 (5.197)	142 (5.591)	152 (5.984)	162 (6.378)	172 (6.772)	182 (7.165)	192 (7.559)	202 (7.953)	212 (8.346)	222 (8.740)	232 (9.134)
B±0.5	120 (4.724)	130 (5.118)	140 (5.512)	150 (5.906)	160 (6.299)	170 (6.693)	180 (7.087)	190 (7.480)	200 (7.874)	210 (8.268)	220 (8.661)
POLE	24	25	26	27	28	29	30	31	32		
A±0.8	242 (9.528)	252 (9.921)	262 (10.315)	272 (10.709)	282 (11.102)	292 (11.496)	302 (11.890)	312 (12.283)	322 (12.677)		
B±0.5	230 (9.055)	240 (9.449)	250 (9.843)	260 (10.236)	270 (10.630)	280 (11.024)	290 (11.417)	300 (11.811)	310 (12.205)		