



Terminal Block

EUROSTYLE P.C.B. TERMINAL BLOCK

TÜV R350002918
E133988(R)
LR100420

ETB14 SERIES

CLAMPING TYPE, RIGHT ANGLE TYPE

PITCH=5.0/10.0mm

FEATURES

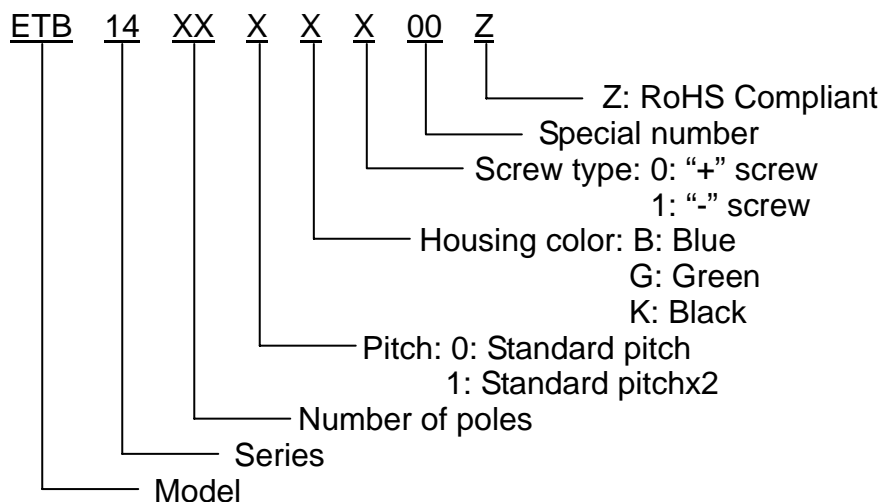
- Easy to assemble for any number of positions
- End stackable without any loss of P.C.B. space
- Special wire protector design to ensure reliable wire clamping
- UL 94V-0 grade fire retardant engineering plastic used for the housing
- Be capable of clamping a wide range of wire diameters
- Compact size for P.C.B.

SPECIFICATIONS

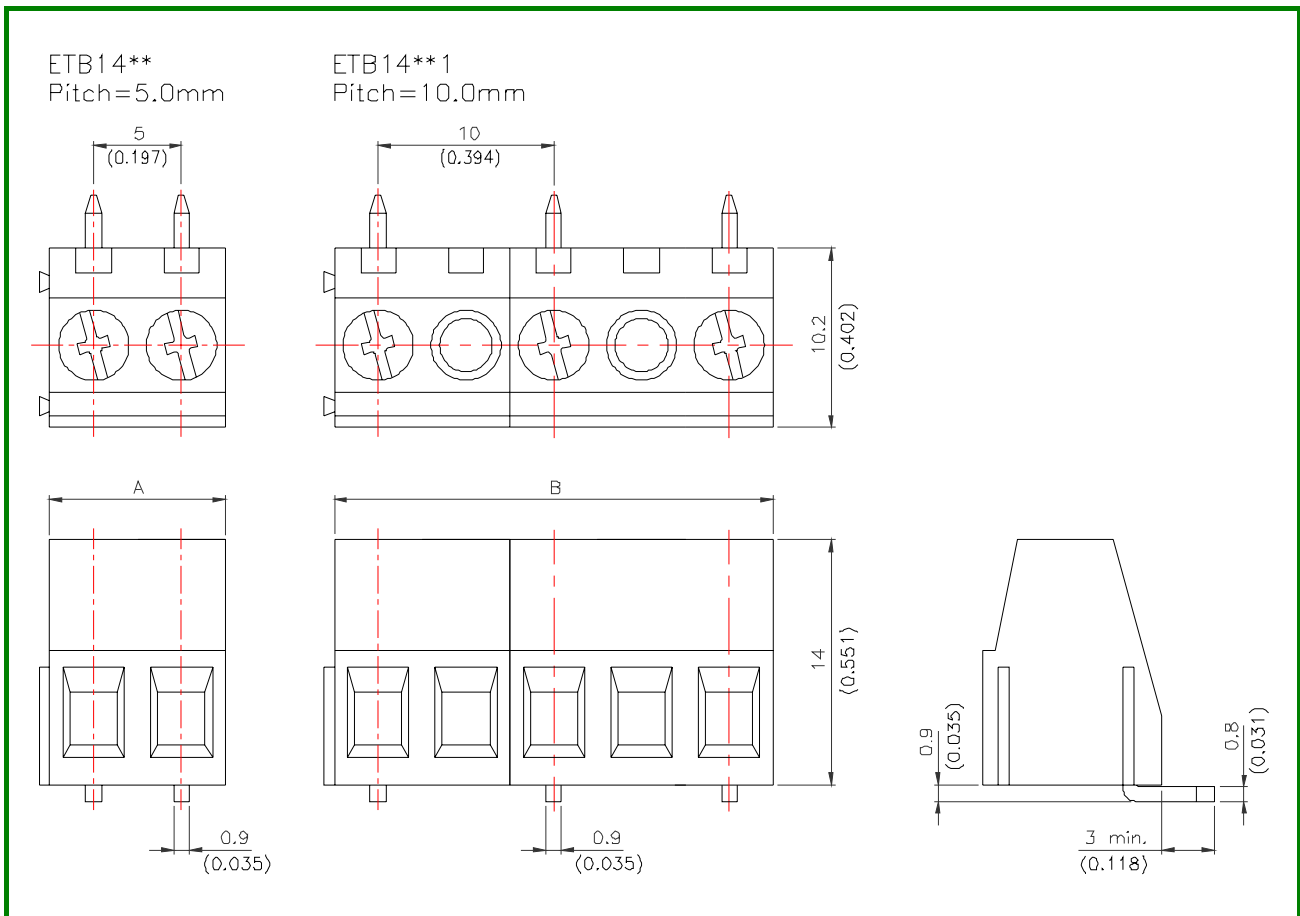
- Pitch 5.0mm, 10.0mm
- Wire range 22~14 AWG. (2.5mm²)
- No. of pole per block 2P or 3P
- Rated 10 Amp, 300 VAC
- Housing PA66
- Terminals Tin plated over Zinc Alloy
- Screws M2.6x0.45P, Zinc plated over Steel
- Wire cage Nickel plated over Zinc Alloy
- Torque 0.25 N-m (2.18 lb-in)
- Operating temperature 110°C
- Stripping length 6mm
- UL Approval 300V, 10A, 22~14 AWG
- CAS Approval 300V, 8A, 24~14 AWG
- TUV Approval 250V, T80, 1.5mm²



PART NUMBERING SYSTEM



DRAWING



mm(inch)

POLE	2	3	4	5	6	7	8	9	10	11	12	13
A	10.0 (0.394)	15.0 (0.591)	20.0 (0.787)	25.0 (0.984)	30.0 (1.181)	35.0 (1.378)	40.0 (1.575)	45.0 (1.772)	50.0 (1.969)	55.0 (2.165)	60.0 (2.362)	65.0 (2.559)
B	15.0 (0.591)	25.0 (0.984)	35.0 (1.378)	45.0 (1.772)	55.0 (2.165)	65.0 (2.559)	75.0 (2.953)	85.0 (3.346)	95.0 (3.740)	105.0 (4.134)	115.0 (4.528)	
POLE	14	15	16	17	18	19	20	21	22	23	24	
A	70.0 (2.756)	75.0 (2.953)	80.0 (3.150)	85.0 (3.346)	90.0 (3.543)	95.0 (3.740)	100.0 (3.937)	105.0 (4.134)	110.0 (4.331)	115.0 (4.528)	120.0 (4.724)	