

## ERD6 SERIES SMALL SIZE 7x7 ROTARY TYPE



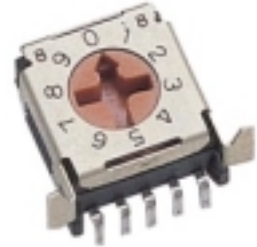
ERD6xxxS



ERD6xxxR



ERD6xxxM



ERD6xxxJ

### ■ FEATURES

- Flat type with outer dimensions 7.2mm square; 4.0mm high on board for through hole type and 3.6mm high on board for surface mounting type.
- Top size 7.2x 3.5mm<sup>2</sup>, 8mm high on board for side adjust type.
- Positions (10,16) and switch code can be identified by color rotor.
- Gold plated contact area ensures reliable electric continuity for micro current.

### ■ SPECIFICATIONS

#### 1.ELECTRICAL

● Contact rating	
Max. switching load	100mA, 50VDC
Min. switching load	10 $\mu$ A, 5VDC
● Contact resistance	200m $\Omega$ Max., 1.5mA, 200 $\mu$ VDC
● Insulation resistance	100M $\Omega$ Min., 100VDC
● Dielectric strength	250VAC(rms), 60sec.

#### 2.MECHANICAL and ENVIRONMENTAL

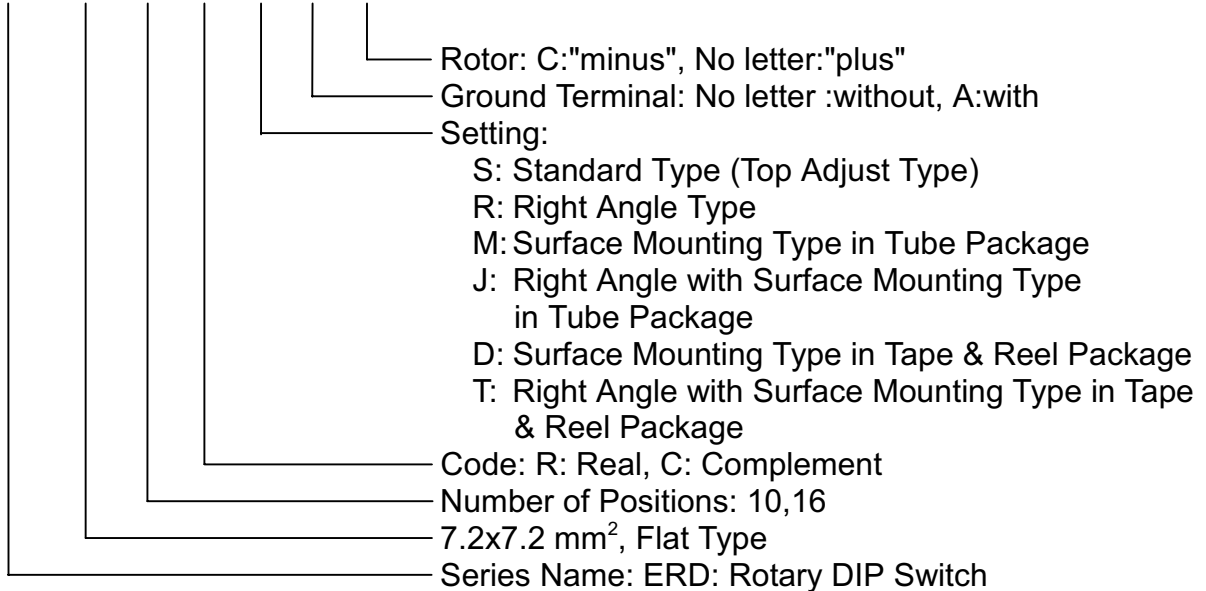
● Temperature rating	
operation	-25°C ~+70°C
storage	-25°C ~+85°C
● Operation force	510gf-cm Max.(Rotational torque)
● Durability	10000 detents Min.

## INTRODUCTION to ECE ROTARY DIP SWITCH

SIZE	POSITIONS	CODE	PIN OUT	ROTOR	TYPE	PART NUMBER
7x7	10,16	REAL, COMPLEMENT	3:3	FLAT	STANDARD	ERD6xxxSxx
			3:2		RIGHT ANGLE	ERD6xxxRxx
			3:3		SMT	ERD6xxxMxx
			5:0		RIGHT ANGLE WITH SMT	ERD6xxxJxx
			3:3		SMT IN T&R	ERD6xxxDxx
			5:0		RIGHT ANGLE WITH SMT IN T&R	ERD6xxxTxx

## PART NUMBERING SYSTEM

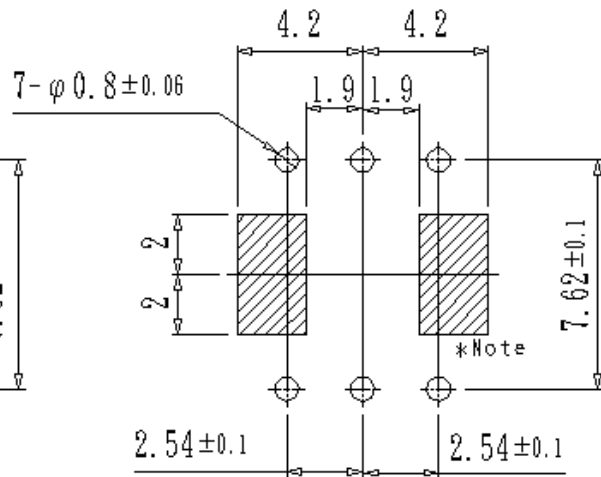
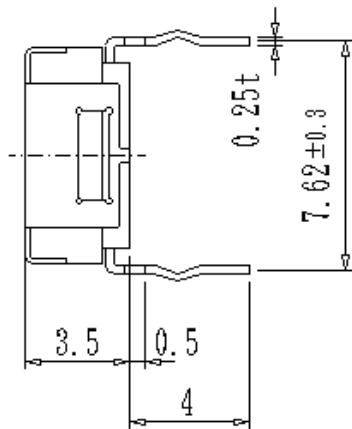
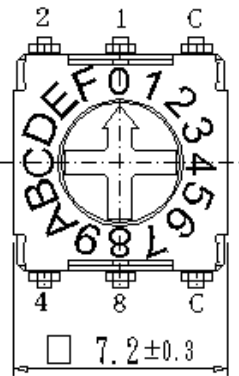
ERD 6 10 C S A C



**■ DIMENSIONS AND CIRCUITRY UNIT:mm**

## ERD 6 x x x S

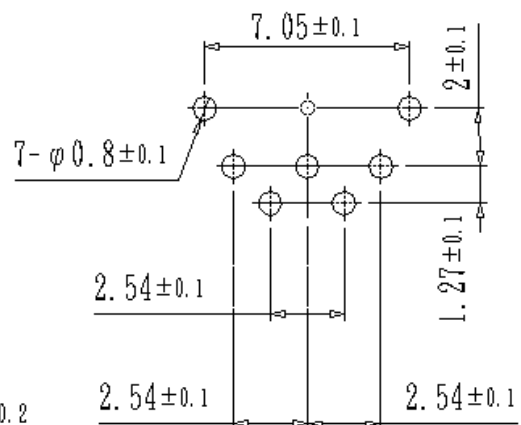
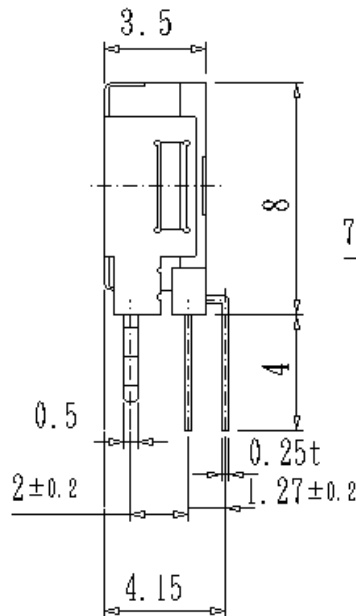
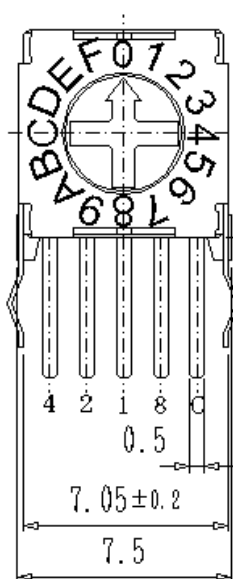
### P. C. B. LAYOUT



Note: The hatched portion should not receive conductive pattern.

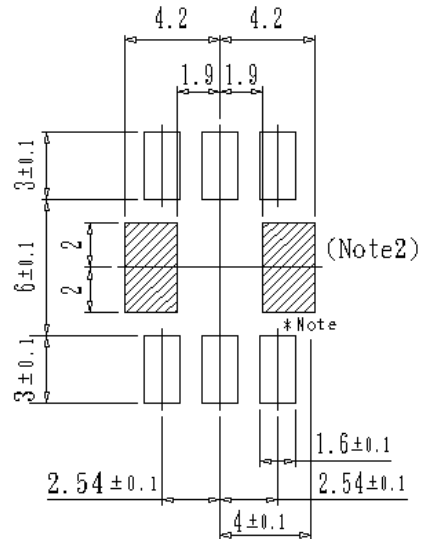
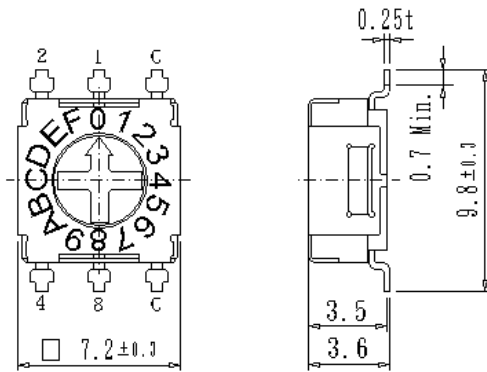
## ERD 6 x x x R

### P. C. B. LAYOUT



### ERD 6 x x x M

### P. C. B. LAYOUT



Note: The hatched portion should not receive conductive pattern.

### ERD 6 x x x J

### P. C. B. LAYOUT

