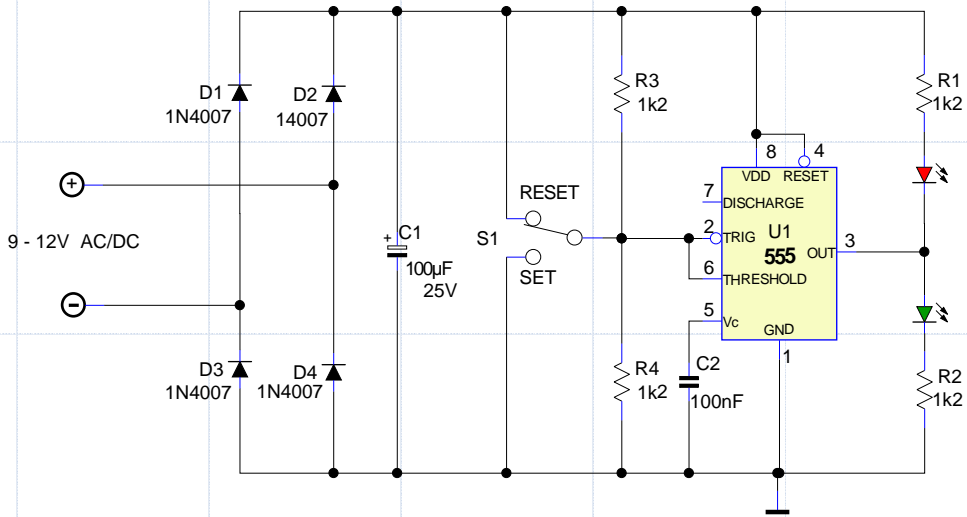


BI-STABLE MULTIVIBRATOR



COMPANY
SCHEMATIC
DESIGNER

MANTECH ELECTRONICS (C) 2026

EIE41-003-V01

M MINSHULL

19 FEB 2026

REV 1.0

PAGE 1