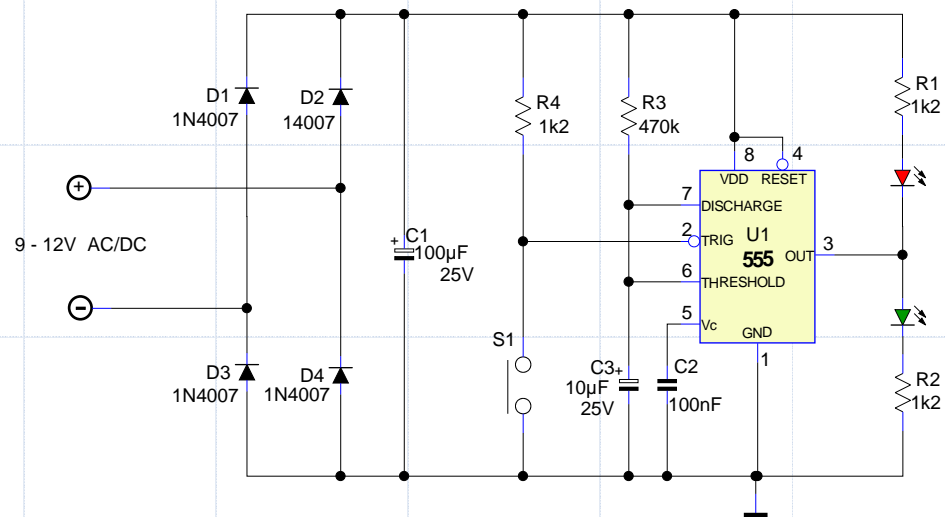


## MONOSTABLE MULTIVIBRATOR SWITCH



COMPANY  
SCHEMATIC  
DESIGNER

**MANTECH ELECTRONICS (C) 2026**

EIE41-002-V01

M MINSHULL

10 FEB 2026

REV 1.0

PAGE 1