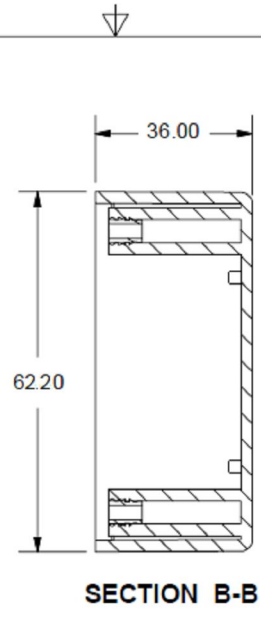
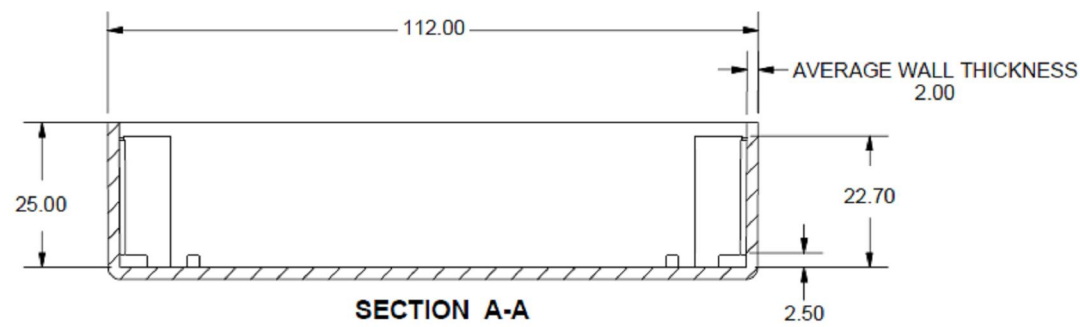


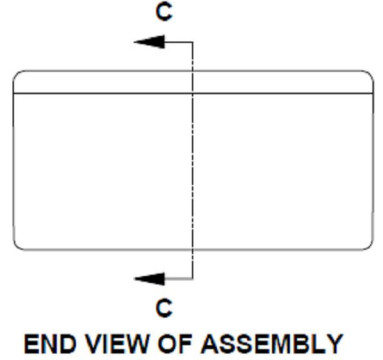
TOP VIEW OF BOX



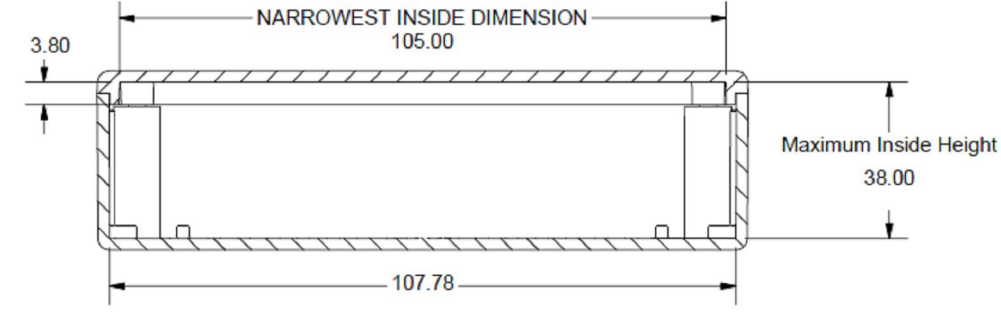
SECTION B-B



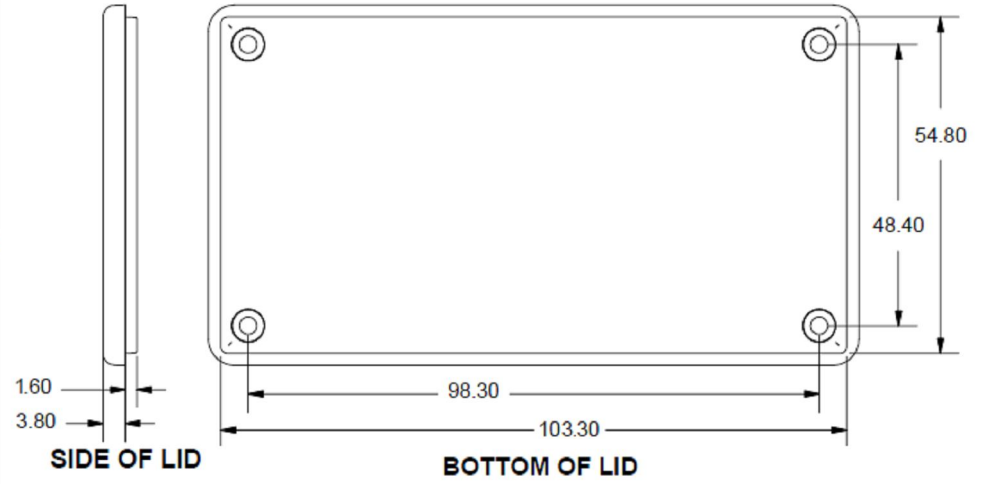
SECTION A-A



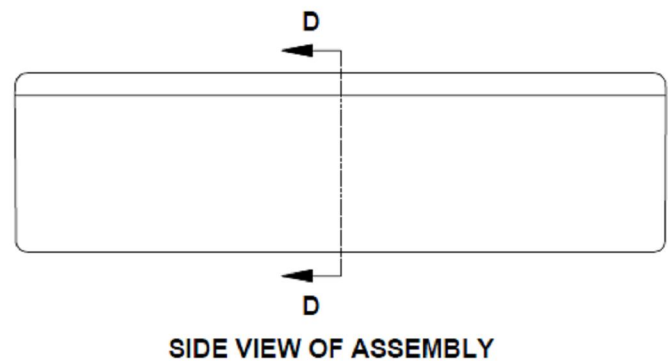
END VIEW OF ASSEMBLY



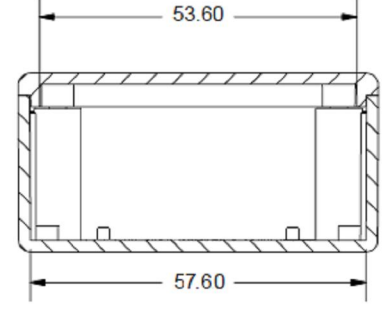
SECTION C-C



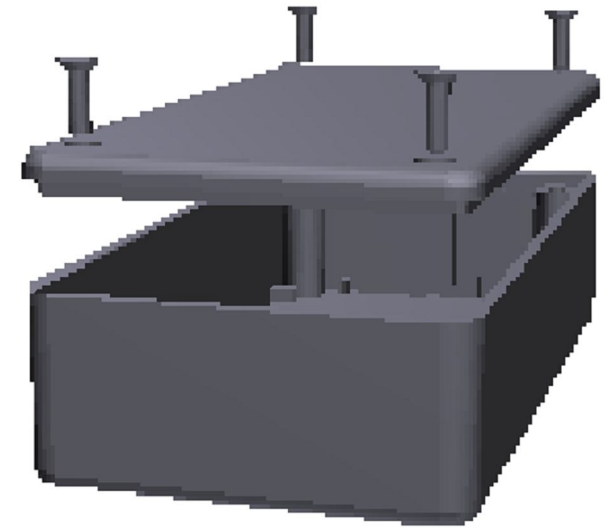
SIDE OF LID
BOTTOM OF LID



SIDE VIEW OF ASSEMBLY



SECTION D-D



PART NUMBERS		
E20-Series Enclosures		
Material	Colour	
		Black
GP ABS		Grey
Accessories		
	Description	Part Number
FR ABS	Replacement Screws, Flat Head Phillips Nickel Plated Pkg of 100	MS100BK (Black)
GP ABS	Self Tapping Pkg of 100	TS100BK (Black)
Recommended Torque on Fasteners (no lubrication)		
	M3 - 0.5 x 10mm Screws	30-40 cN*m
	#4 x 0.5 Screws	30-40 cN*m