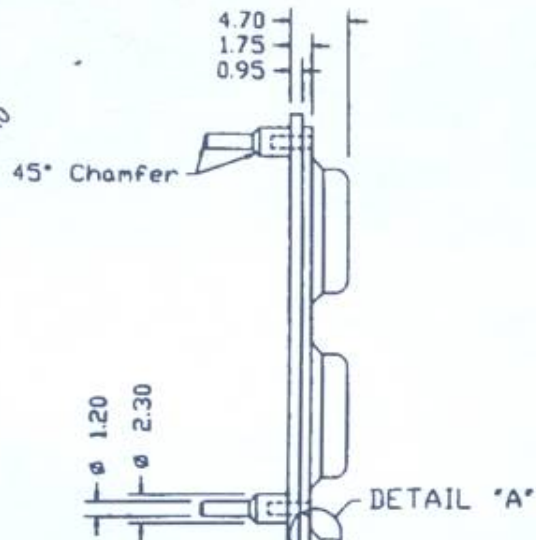
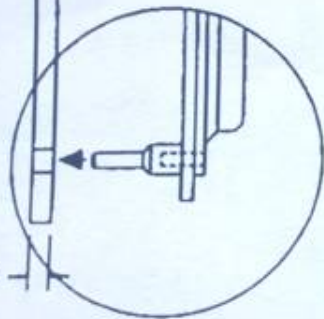


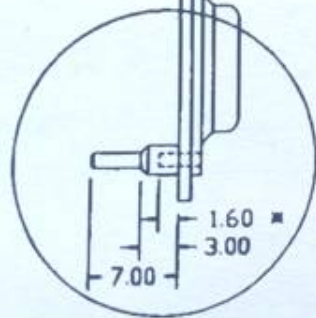
DETAIL "A" (SCALE 8:1)



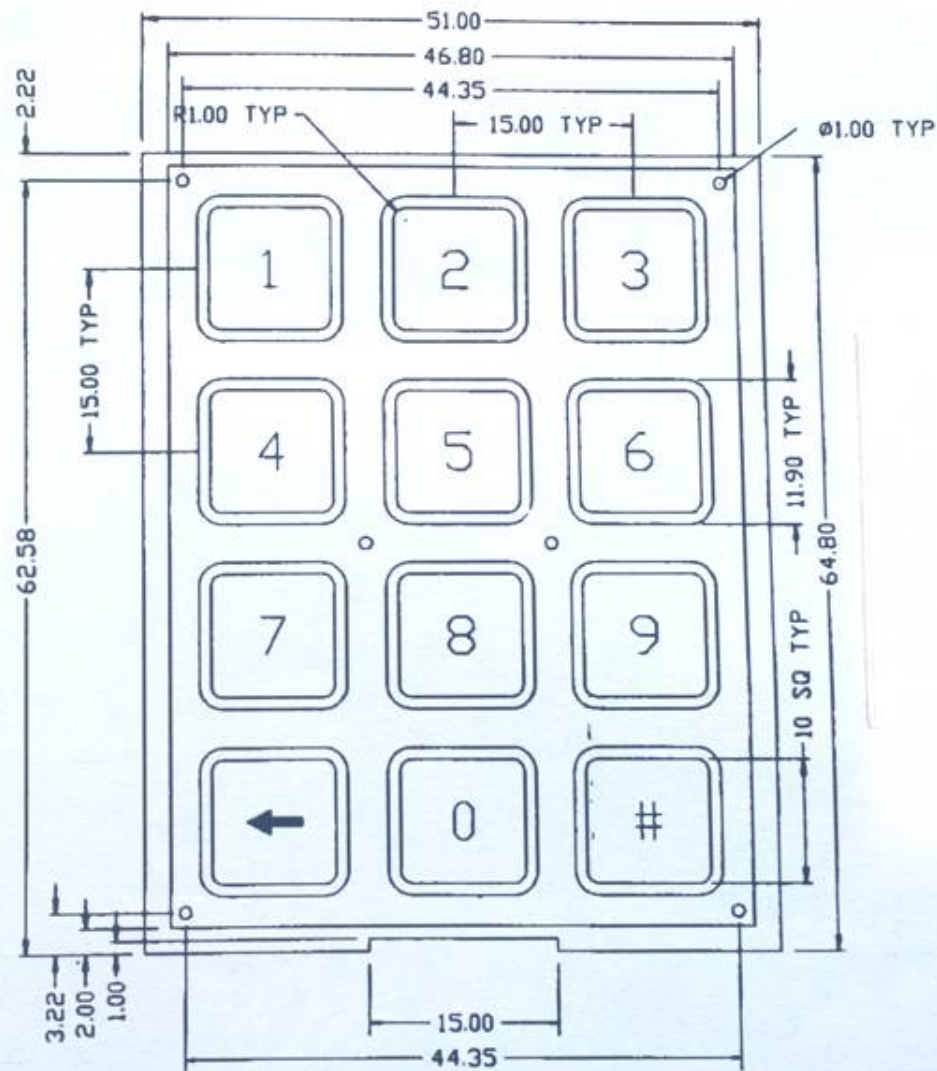
DETAIL "A"



1.60 PCB



✱ DEPTH TO BE ADVISED.



NOTE:-

1 GREY SILICONE RUBBER KEYPAD,
 WITH WHITE PRINTING AND ONE CARBON PILL (Ø 6.00)
 PER BUTTON (ie 12 OFF).
 BUTTON TRAVEL TO BE 1mm