

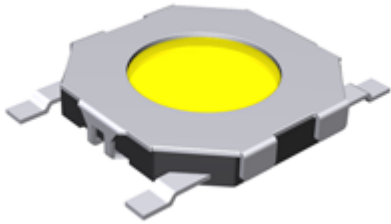


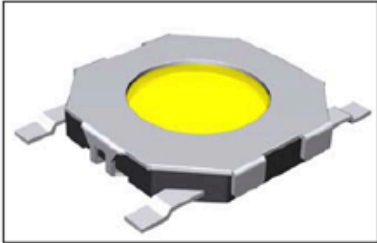
Horizontal type

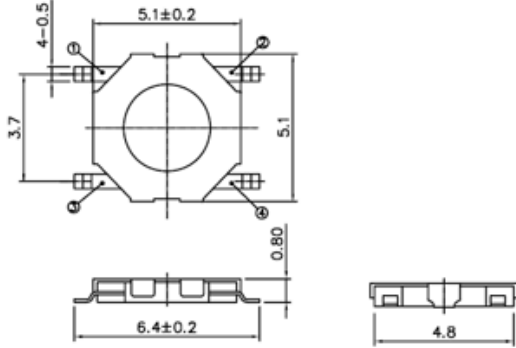
# DJT-1187M

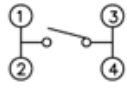
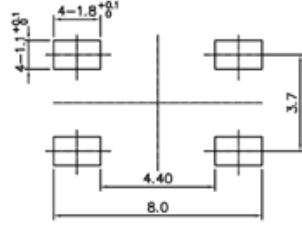
구분 (Category)	Tact switch
형태 (Type)	Horizontal type
모델명 (Model No)	DJT-1187M
크기 (Size)	5.1*5.1*0.8mm
정격 (Rating)	DC 12V / 50mA
회로 구성 (Circuit)	SPST (1P 1T)
접촉 저항 (Contact resistance)	100mΩ max
절연 저항 (Insulation resistance)	100MΩ min
동작력 (Operating force)	160gf /,250gf /
동작 거리 (Travel)	0.2mm
수명 (Life cycles)	100K Cycles,300K Cycles
납땜 방식 (Soldering type)	SMT
패킹 타입 (Packing type)	Reel
포장 단위 (Packing size)	4,000pcs

 Drawing Download	Unknown
 Photo	

## DJT1187M





SPECIFICATION	CIRCUIT DIAGRAM	P.C.B LAND PATTERN															
<p>1. RATING : DC 12V 50mA                      2. CONTACT RESISTANCE : 100mΩ MAX.                      3. TRAVEL : 0.2±0.1mm                      4. BOUNCE : 10m SEC MAX.</p> <p>5.</p> <table border="1" style="width: 100%; border-collapse: collapse;"> <thead> <tr> <th>MODEL</th> <th>OPERATING FORCE</th> <th>LIFE CYCLES</th> </tr> </thead> <tbody> <tr> <td>DJT1187M-0</td> <td>110±30gf</td> <td>1,000,000 CYCLE</td> </tr> <tr> <td>DJT1187M-1</td> <td>130±30gf</td> <td>300,000 CYCLE</td> </tr> <tr> <td>DJT1187M-2</td> <td>160±50gf</td> <td>300,000 CYCLE</td> </tr> <tr> <td>DJT1187M-3</td> <td>250±50gf</td> <td>100,000 CYCLE</td> </tr> </tbody> </table>	MODEL	OPERATING FORCE	LIFE CYCLES	DJT1187M-0	110±30gf	1,000,000 CYCLE	DJT1187M-1	130±30gf	300,000 CYCLE	DJT1187M-2	160±50gf	300,000 CYCLE	DJT1187M-3	250±50gf	100,000 CYCLE		
MODEL	OPERATING FORCE	LIFE CYCLES															
DJT1187M-0	110±30gf	1,000,000 CYCLE															
DJT1187M-1	130±30gf	300,000 CYCLE															
DJT1187M-2	160±50gf	300,000 CYCLE															
DJT1187M-3	250±50gf	100,000 CYCLE															

PACKING	REEL TYPE	4,000/1REEL(EA)
---------	-----------	-----------------

