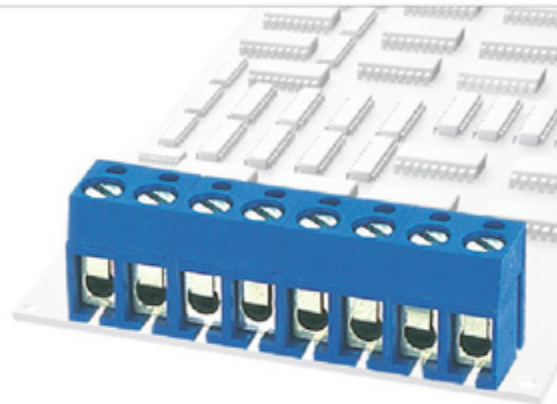


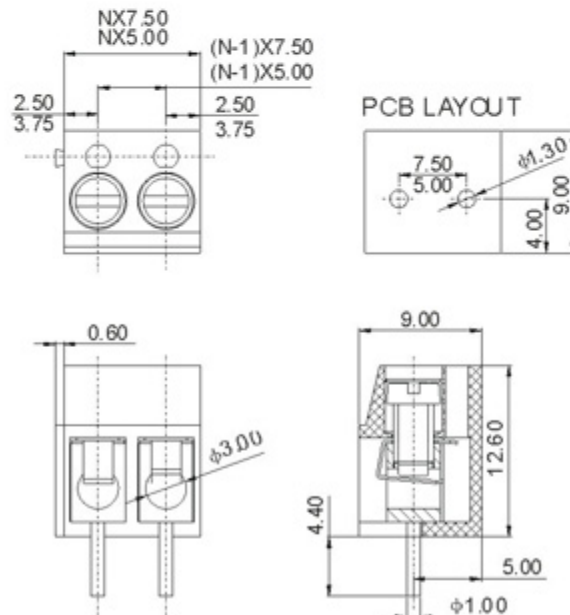


DEGSON ELECTRONICS CO., LTD.

Product Specification



DG300-5.0
DG300-7.5

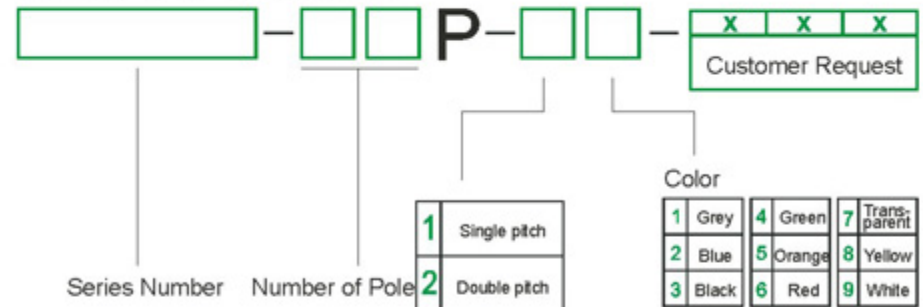


| | | |
|-----------------------|--------------|--------------------|
| Approval | | |
| Electrical | | |
| Standard | UL | IEC |
| Rated voltage | 300V | 250V |
| Rated current | 10A | 24A |
| Wire range | 22-14AWG | 2.5mm ² |
| With standing voltage | AC2000V/1Min | |

| | | |
|---------------------|---------------------------|--|
| Mechanical | | |
| Torque | 0.5Nm(4.4Lb-In.) | |
| Ambient temperature | -30°C~+120°C | |
| Strip length | 5-6mm | |
| Dimensions | | |
| Pitch | 5.0mm(.197") 7.5mm(.295") | |
| Poles | 2P,3P-24P | |

| | | |
|-----------------|---------------------------------------|--|
| Material | | |
| Housing | PBT, UL94V-0 | |
| Screws | M3, steel, Cr ³⁺ Zn plated | |
| Pin header | Brass, Tin plated | |
| Wire guard | Stainless steel | |

HOW TO ORDER



| | |
|------|--------------------------------------|
| | DEGSON ELECTRONICS CO., LTD. |
| NAME | DG300-5.0 DG300-7.5 |