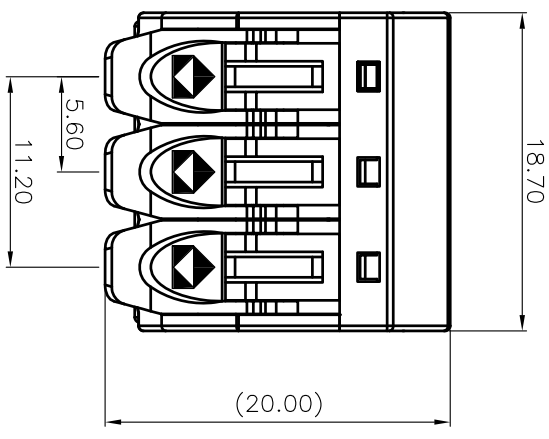
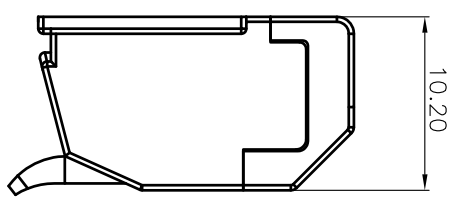


REVISION RECORD			
REV	ECN	DESCRIPTION	DRFT DATE

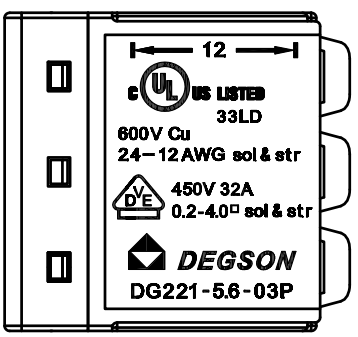
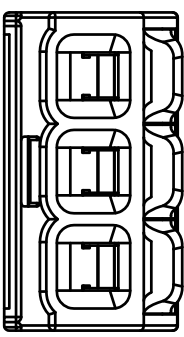


- NOTES1:  
 UL Standard  
 1. Rated voltage : 600V  
 2. Wire range : 24~12AWG
- IEC Standard  
 1. Rated voltage/current : 450V / 32A  
 2. Wire range : 0.2~4.0mm<sup>2</sup>

- NOTES2:  
 1. Dimension shall be interpreted per ASME Y14.5-2009  
 2. Pitch : 5.6mm, Poles : 03P  
 3. Stripping length : 12mm  
 4. Withstanding voltage : AC2500V/1Min  
 5. Operating temperature: -40°C~+85°C  
 6. Undimensioned tolerances:

Pitch range in mm	Nominal dimension range					
	Over	Over	Over	Over	Over	Over
TO	5	10	30	60	100	150
6	10	24	30	60	100	150
	±0.15	±0.20	±0.30	±0.30	±0.50	±0.70
					±1.00	±1.30
						±2°

7. RoHS Compliance



DG221 - 5.6 - 03P - 1Y - 00A (H)  
 (Series No.) (Pitch) (Poles) (Single Pitch) (Color): 1.(Grey) 2.(Blue) 3.(Black)  
 4.(Green) 5.(Orange) 6.(Red) 7.(Transparent) 8.(Yellow) 9.(White)

DETACHED LISTS	
PART NO.:	/
APPD:	/
CHKD:	/
DRFT:	/
THIRD ANGLE PROJECTION	
NAME:	<b>DEGSON</b> NINGBO DEGSON ELECTRICAL CO., LTD 宁波高松电子有限公司
TITLE:	CUSTOMER DRAWING
DRAWING NO.:	/
REV	DO
SHEET	1/1
SCALE	1:1

A 8 7 6 5 4 3 2 1