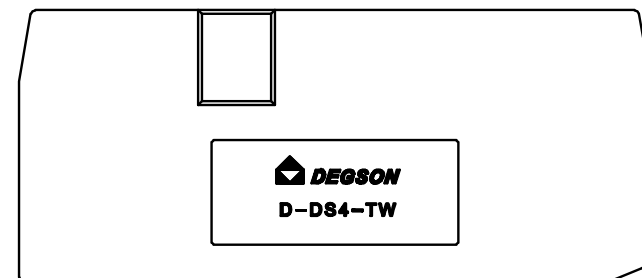
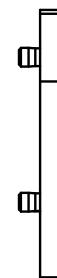
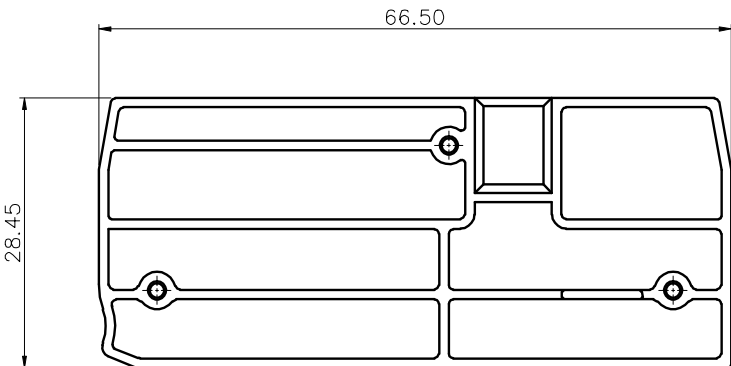
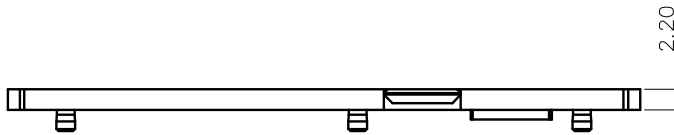


REVISION RECORD				
REV	ECN	DESCRIPTION	DRFT	DATE

NOTES:
 1.Dimension shall be interpreted per ASME Y14.5-2009
 2.Operating temperature: -40°C~+105°C
 3.Undimensioned Tolerances:

Pitch Range In mm		Nominal Dimension Range In mm				⊖	∩	□
TO	Over TO	Over TO	Over TO	Over TO	Over TO	0.1/10	∠	±2'
6	10	24	30	60	100	150	∠	±2'
±0.15	±0.20	±0.30	±0.30	±0.50	±0.70	±1.00	±1.30	±2'

4.RoHS Compliance



D-DS4-TW - 01P - 1Y - 00A (H)
 (Series No.) (Poles) (Single Pitch) (Color):
 1.(Grey)
 2.(Blue)
 3.(Black)
 4.(Green)
 5.(Orange)
 6.(Red)
 7.(Transparent)
 8.(Yellow)
 9.(White)
 (RoHS)
 00A-(Standard)

DETACHED LISTS	PART NO.:	NINGBO DEGSON ELECTRICAL CO., LTD			
	APPD:	NAME: D-DS4-TW-01P-1Y-00A(H)			
	CHKD:	TITLE: CUSTOMER DRAWING			
	DRFT:	REV	D0-1		
	DRAWING NO.:		SHEET	1/1	
THIRD ANGLE PROJECTION		DO NOT SCALE DRAWING	SCALE	1:1	