

Specification Guide Codes:

A= Item Number

B= Metal Material

C= Material Thickness (mm)

D= Suitable Rated Current

Beryllium Copper Recommended For Current Higher Than 30A To Order Add " Q " e.g. CQ-111 Q

Option Finish Selecting:

N= Nickel Plating

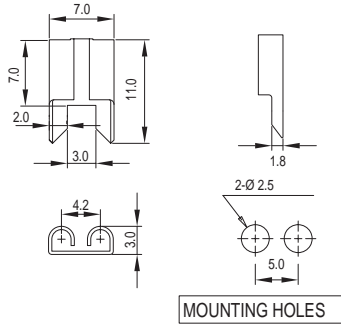
S= Silver Plating

(To Order Add N or S e.g. **CQ-205B N**)

P.C. BOARD MOUNT SPECIAL FUSE CLIPS



CQ-111
For Blade Auto Fuses ATQ Type

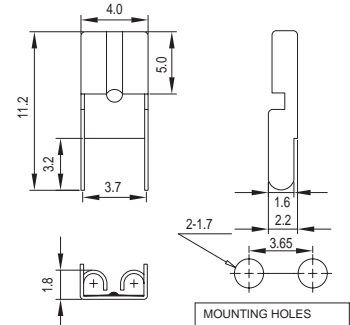


B: Spring Brass
C: 0.35t
D: 15A
Bright Tin Plated

MOUNTING HOLES



CQ-112
For AST Mini Blade Type Fuses

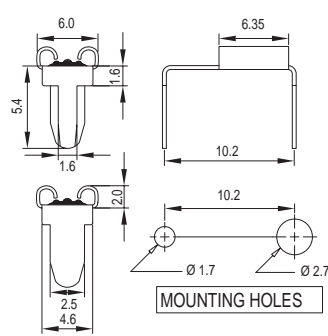


B: Spring Brass
C: 0.3t
D: 15A
Bright Tin Plated

MOUNTING HOLES



CQ-114
For ATQ Blade Horizontal Clip

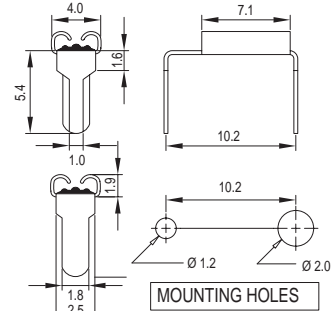


B: Spring Brass
C: 0.3t
D: 15A
Bright Tin Plated

MOUNTING HOLES



CQ-115
For AST Mini Blade Horizontal Clip

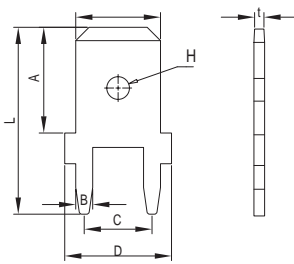


B: Spring Brass
C: 0.3t
D: 15A
Bright Tin Plated

MOUNTING HOLES



CQ-200D
Terminal Car Fuse

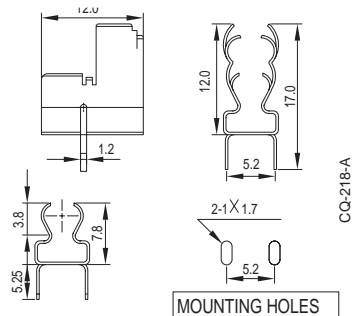


B: Copper
D: 10A
*Finish : Non-Plated
(1/4" Terminals)

ITEM NO.	W	L	A	B	C	D	t	H
CQ-200D	6.35	14.0	7.92	1.27	5.05	7.9	0.8	1.7



CQ-218-A
Multi-Clip For 5mm/6.3mm Dia. Fuses



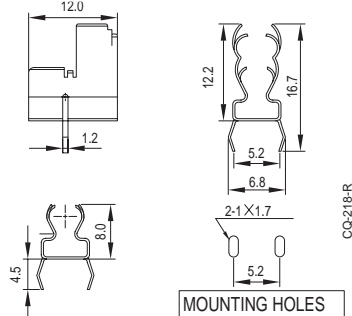
B: Phosphor Bronze
C: 0.4t
D: 10A
Bright Tin Plated
Ear Type

MOUNTING HOLES

CQ-218-A



CQ-218-R
Multi-Clip For 5mm/6.3mm Dia. Fuses



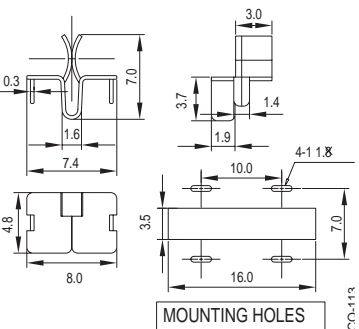
B: Phosphor Bronze
C: 0.4t
D: 10A
Bright Tin Plated
Ear Type

MOUNTING HOLES

CQ-218-R



CQ-113
For AST Mini Blade Type Fuses



B: Spring Brass
C: 0.3t
D: 15A
Bright Tin Plated

MOUNTING HOLES

CQ-113