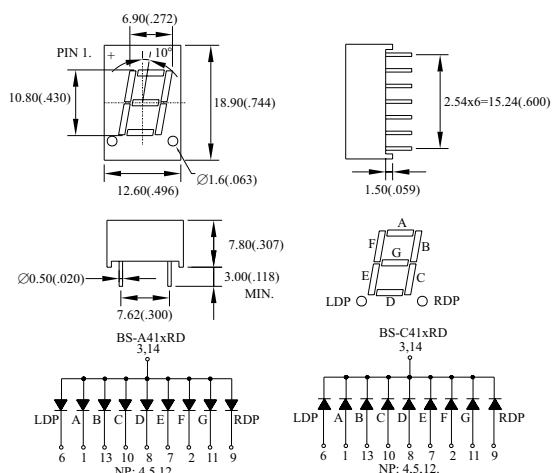
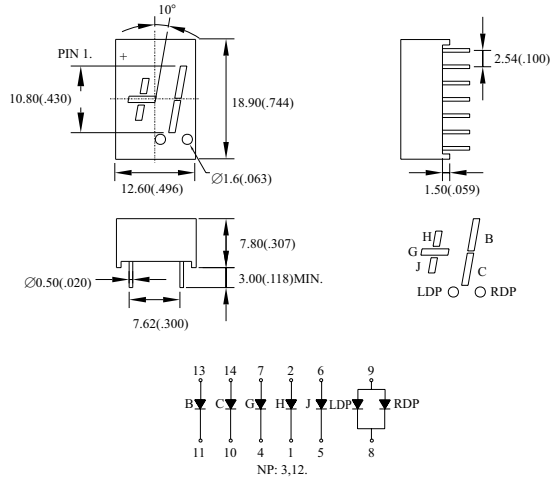
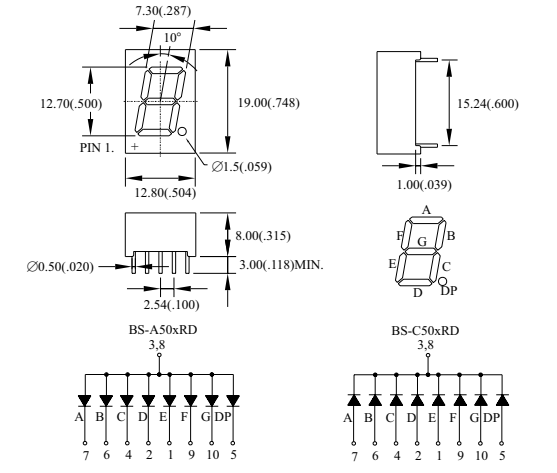
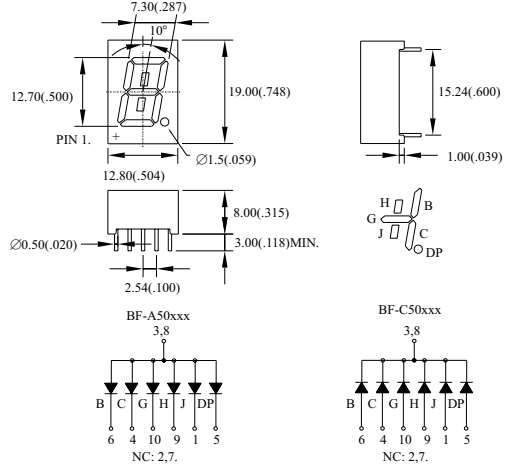
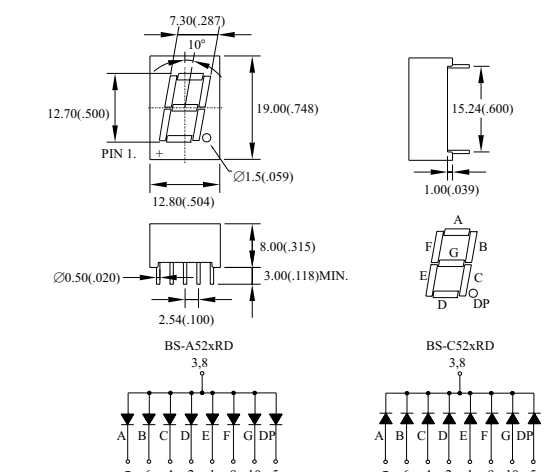
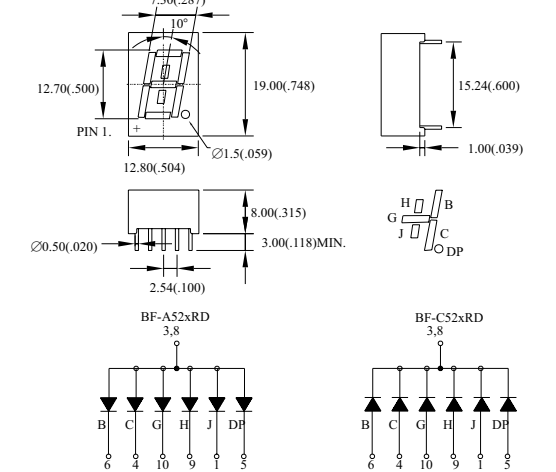




SINGLE DIGIT LED DISPLAYS

Digit Size	Part No.		Chip		Absolute Maximum Ratings				Electro-optical Data(At 10mA)			Drawing No.	
	Common Anode	Common Cathode	Material/Emitted Color	Peak Wave Length λ_p (nm)	$\Delta \lambda$ (nm)	Pd (mw)	If (mA)	Ifp (mA)	Vf (v)		Iv. Typ. Per.Seg. (mcd)		
									Typ.	Max.			
0.43" Single-Digit	BS-A411RD	BS-C411RD	GaAsP/Red	655	40	80	40	200	1.7	2.0	0.7	SD-19	
	BS-A415RD	BS-C415RD	GaP/ Bright Red	700	90	40	15	50	2.2	2.5	1.5		
	BS-A415RE	BS-C415RE											
	BS-A412RD	BS-C412RD	GaP/ Green	568	30	80	30	150	2.2	2.5	3.5		
	BS-A413RD	BS-C413RD	GaAsP/GaP/ Yellow	585	35	80	30	150	2.1	2.5	2.5		
	BS-A414RD	BS-C414RD	GaAsP/GaP/ Hi-Eff.Red	635	45	80	30	150	2.0	2.5	3.5		
			GaAsP/GaP/ Orange										
	BS-A416RD	BS-C416RD	GaAlAs/ SH Super Red	660	20	80	30	150	1.7	2.5	6.5		
BS-A41DRD	BS-C41DRD	GaAlAs/ DH Super Red	660	20	80	30	150	1.7	2.5	7.5			
0.43" Overflow Single-Digit	BF-U411RD		GaAsP/Red	655	40	80	40	200	1.7	2.0	0.7	SD-20	
	BF-U415RD		GaP/ Bright Red	700	90	40	15	50	2.2	2.5	1.5		
	BF-U415RE												
	BF-U412RD		GaP/ Green	568	30	80	30	150	2.2	2.5	3.5		
	BF-U413RD		GaAsP/GaP/ Yellow	585	35	80	30	150	2.1	2.5	2.5		
	BF-U414RD	BF-C414RD	GaAsP/GaP/ Hi-Eff.Red	635	45	80	30	150	2.0	2.5	3.5		
			GaAsP/GaP/ Orange										
	BF-U416RD		GaAlAs/ SH Super Red	660	20	80	30	150	1.7	2.5	6.5		
BF-U41DRD		GaAlAs/ DH Super Red	660	20	80	30	150	1.7	2.5	7.5			
0.50" Single-Digit	BS-A501RD	BS-C501RD	GaAsP/Red	655	40	80	40	200	1.7	2.0	1.0	SD-21	
	BS-A505RD	BS-C505RD	GaP/ Bright Red	700	90	40	15	50	2.2	2.5	1.5		
	BS-A505RE	BS-C505RE											
	BS-A502RD	BS-C502RD	GaP/ Green	568	30	80	30	150	2.2	2.5	3.0		
	BS-A503RD	BS-C503RD	GaAsP/GaP/ Yellow	585	35	80	30	150	2.1	2.5	2.0		
	BS-A504RD	BS-C504RD	GaAsP/GaP/ Hi-Eff.Red	635	45	80	30	150	2.0	2.5	3.0		
			GaAsP/GaP/ Orange										
	BS-A506RD	BS-C506RD	GaAlAs/ SH Super Red	660	20	80	30	150	1.7	2.5	7.0		
BS-A50DRD	BS-C50DRD	GaAlAs/ DH Super Red	660	20	80	30	150	1.7	2.5	8.0			
0.50" Overflow Single-Digit	BF-A501RD		GaAsP/Red	655	40	80	40	200	1.7	2.0	1.0	SD-22	
	BF-A505RD		GaP/ Bright Red	700	90	40	15	50	2.2	2.5	1.5		
	BF-A505RE												BF-C505RE
	BF-A502RD		BF-C502RD	GaP/ Green	568	30	80	30	150	2.2	2.5		3.0
	BF-A503RD		BF-C503RD	GaAsP/GaP/ Yellow	585	35	80	30	150	2.1	2.5		2.0
	BF-A504RD	BF-C504RD	GaAsP/GaP/ Hi-Eff.Red	635	45	80	30	150	2.0	2.5	3.0		
			GaAsP/GaP/ Orange										
	BF-A506RD		BF-C506RD	GaAlAs/ SH Super Red	660	20	80	30	150	1.7	2.5		7.0
BF-A50DRD		BF-C50DRD	GaAlAs/ DH Super Red	660	20	80	30	150	1.7	2.5	8.0		
0.50" Single-Digit	BS-A521RD	BS-C521RD	GaAsP/Red	655	40	80	40	200	1.7	2.0	0.7	SD-23	
	BS-A525RD	BS-C525RD	GaP/ Bright Red	700	90	40	15	50	2.2	2.5	1.5		
	BS-A525RE	BS-C525RE											
	BS-A522RD	BS-C522RD	GaP/ Green	568	30	80	30	150	2.2	2.5	3.5		
	BS-A523RD	BS-C523RD	GaAsP/GaP/ Yellow	585	35	80	30	150	2.1	2.5	2.5		
	BS-A524RD	BS-C524RD	GaAsP/GaP/ Hi-Eff.Red	635	45	80	30	150	2.0	2.5	3.5		
			GaAsP/GaP/ Orange										
	BS-A526RD	BS-C526RD	GaAlAs/ SH Super Red	660	20	80	30	150	1.7	2.5	6.5		
BS-A52DRD	BS-C52DRD	GaAlAs/ DH Super Red	660	20	80	30	150	1.7	2.5	7.5			
0.50" Overflow Single-Digit	BF-A521RD		GaAsP/Red	655	40	80	40	200	1.7	2.0	0.7	SD-24	
	BF-A525RD		GaP/ Bright Red	700	90	40	15	50	2.2	2.5	1.5		
	BF-A525RE												BF-C525RE
	BF-A522RD		BF-C522RD	GaP/ Green	568	30	80	30	150	2.2	2.5		3.5
	BF-A523RD		BF-C523RD	GaAsP/GaP/ Yellow	585	35	80	30	150	2.1	2.5		2.5
	BF-A524RD	BF-C524RD	GaAsP/GaP/ Hi-Eff.Red	635	45	80	30	150	2.0	2.5	3.5		
			GaAsP/GaP/ Orange										
	BF-A526RD		BF-C526RD	GaAlAs/ SH Super Red	660	20	80	30	150	1.7	2.5		6.5
BF-A52DRD		BF-C52DRD	GaAlAs/ DH Super Red	660	20	80	30	150	1.7	2.5	7.5		

SINGLE DIGIT LED DISPLAYS

SD-19	SD-20
<p align="center">BS-A_C41xRD</p>  <p>Dimensions: 6.90(272), 10.80(430), 12.60(496), 18.90(744), 1.50(059), 2.54x6=15.24(.600), 7.80(.307), 3.00(.118) MIN., 7.62(.300), 1.50(059).</p> <p>Pin layouts: BS-A41xRD (NP: 4,5,12), BS-C41xRD (NP: 4,5,12).</p>	<p align="center">BF-U41xRD</p>  <p>Dimensions: 10.80(430), 12.60(496), 18.90(744), 1.50(059), 2.54(100), 7.80(.307), 3.00(.118) MIN., 7.62(.300).</p> <p>Pin layout: BF-U41xRD (NP: 3,12).</p>
SD-21	SD-22
<p align="center">BS-A_C50xRD</p>  <p>Dimensions: 7.30(287), 12.70(500), 12.80(504), 19.00(748), 1.00(039), 15.24(.600), 8.00(.315), 3.00(.118) MIN., 2.54(.100).</p> <p>Pin layouts: BS-A50xRD (NC: 2,7), BS-C50xRD (NC: 2,7).</p>	<p align="center">BF-A_C50xRD</p>  <p>Dimensions: 7.30(287), 12.70(500), 12.80(504), 19.00(748), 1.00(039), 15.24(.600), 8.00(.315), 3.00(.118) MIN., 2.54(.100).</p> <p>Pin layouts: BF-A50xxx (NC: 2,7), BF-C50xxx (NC: 2,7).</p>
SD-23	SD-24
<p align="center">BS-A_C52xRD</p>  <p>Dimensions: 7.30(287), 12.70(500), 12.80(504), 19.00(748), 1.00(039), 15.24(.600), 8.00(.315), 3.00(.118) MIN., 2.54(.100).</p> <p>Pin layouts: BS-A52xRD (NC: 2,7), BS-C52xRD (NC: 2,7).</p>	<p align="center">BF-A_C52xRD</p>  <p>Dimensions: 7.30(287), 12.70(500), 12.80(504), 19.00(748), 1.00(039), 15.24(.600), 8.00(.315), 3.00(.118) MIN., 2.54(.100).</p> <p>Pin layouts: BF-A52xRD (NC: 2,7), BF-C52xRD (NC: 2,7).</p>

NOTES: 1.All Dimensions are in millimeters(inches).
 2.Tolerance is ±0.25mm(.010").
 3.Specifications are subject to change without notice.
 4.NP:No Pin. 5.NC:No Connect.