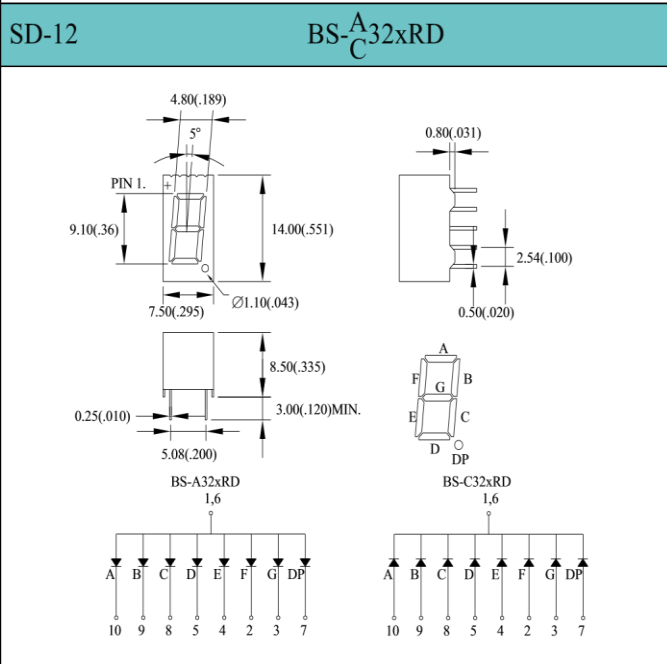
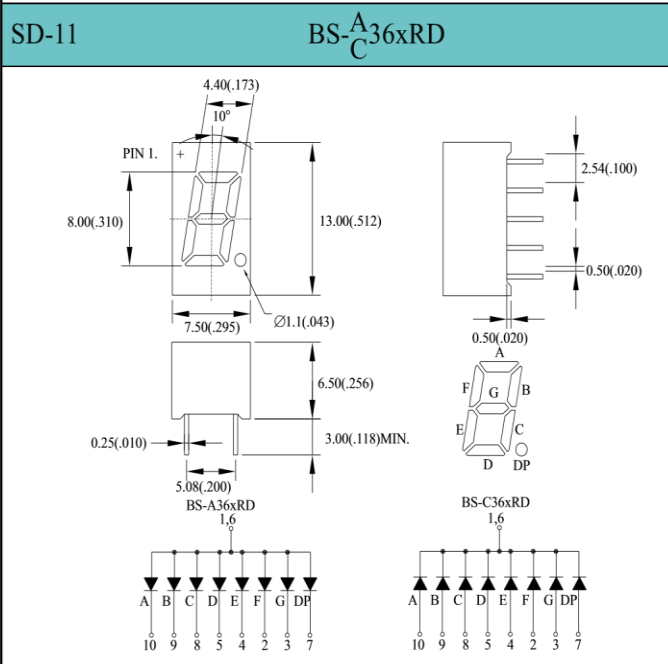
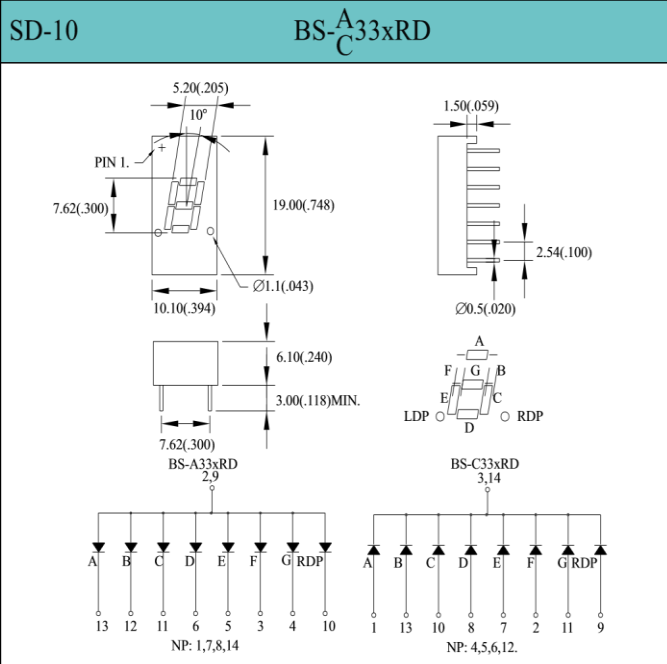
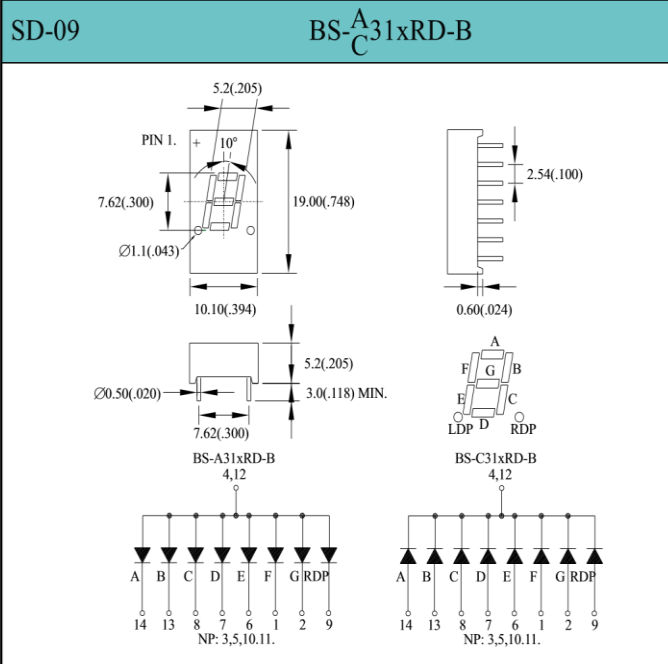
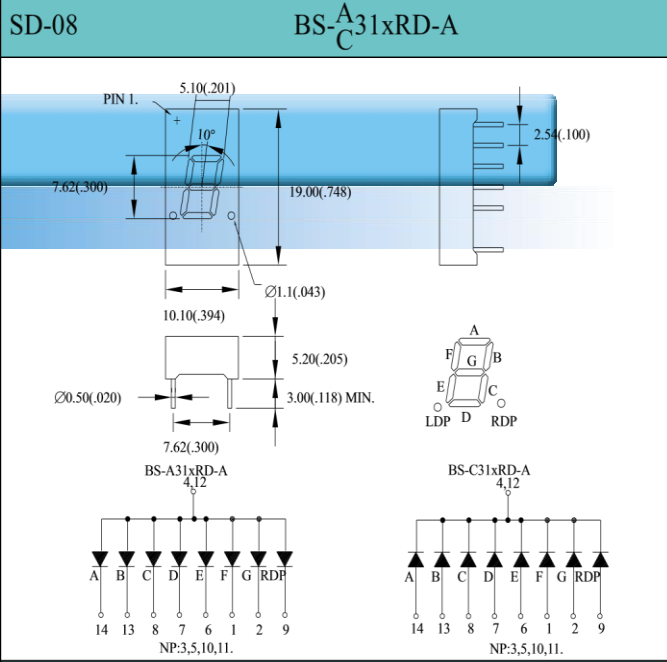
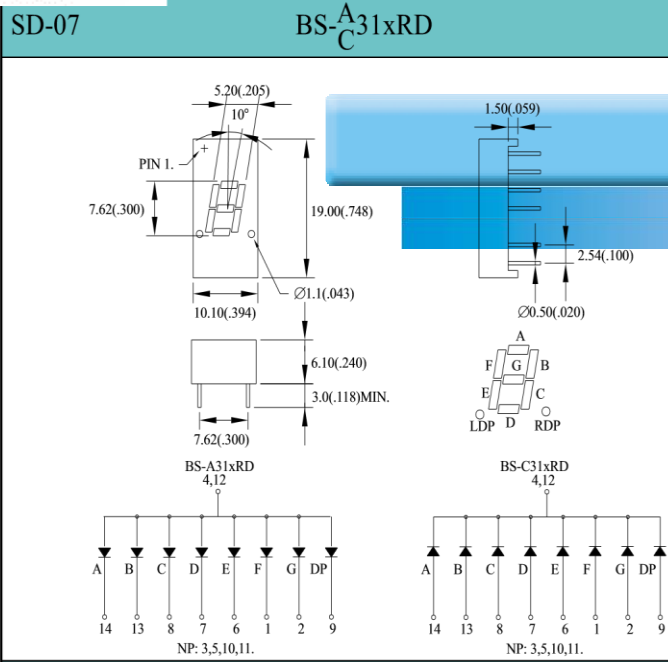


Digit Size	Part No.		Chip		Absolute Maximum Ratings				Electro-optical Data(At 10mA)			Drawing No.
	Common Anode	Common Cathode	Material/Emitted Color	Peak Wave Length λ_p (nm)	$\Delta \lambda$ (nm)	Pd (mw)	If (mA)	Ifp (mA)	Vf (v)		Iv. Typ. Per.Seg. (mcd)	
									Typ.	Max.		
0.30" Single-Digit	BS-A311RD	BS-C311RD	GaAsP/Red	655	40	80	40	200	1.7	2.0	0.6	SD-07
	BS-A315RD	BS-C315RD	GaP/ Bright Red	700	90	40	15	50	2.2	2.5	1.2	
	BS-A315RE	BS-C315RE										
	BS-A312RD	BS-C312RD	GaP/ Green	568	30	80	30	150	2.2	2.5	3.0	
	BS-A313RD	BS-C313RD	GaAsP/GaP/ Yellow	585	35	80	30	150	2.1	2.5	2.0	
	BS-A314RD	BS-C314RD	GaAsP/GaP/ Hi-Eff.Red	635	45	80	30	150	2.0	2.5	3.0	
			GaAsP/GaP/ Orange									
	BS-A316RD	BS-C316RD	GaAlAs/ SH Super Red	660	20	80	30	150	1.7	2.5	6.0	
	BS-A31DRD	BS-C31DRD	GaAlAs/ DH Super Red	660	20	80	30	150	1.7	2.5	7.0	
	BS-A311RD-A	BS-C311RD-A	GaAsP/Red	655	40	80	40	200	1.7	2.0	0.6	SD-08
	BS-A315RD-A	BS-C315RD-A	GaP/ Bright Red	700	90	40	15	50	2.2	2.5	1.2	
	BS-A315RE-A	BS-C315RE-A										
	BS-A312RD-A	BS-C312RD-A	GaP/ Green	568	30	80	30	150	2.2	2.5	3.0	
	BS-A313RD-A	BS-C313RD-A	GaAsP/GaP/ Yellow	585	35	80	30	150	2.1	2.5	2.0	
	BS-A314RD-A	BS-C314RD-A	GaAsP/GaP/ Hi-Eff.Red	635	45	80	30	150	2.0	2.5	3.0	
			GaAsP/GaP/ Orange									
	BS-A316RD-A	BS-C316RD-A	GaAlAs/ SH Super Red	660	20	80	30	150	1.7	2.5	6.0	
	BS-A31DRD-A	BS-C31DRD-A	GaAlAs/ DH Super Red	660	20	80	30	150	1.7	2.5	7.0	
	BS-A311RD-B	BS-C311RD-B	GaAsP/Red	655	40	80	40	200	1.7	2.0	0.6	SD-09
	BS-A315RD-B	BS-C315RD-B	GaP/ Bright Red	700	90	40	15	50	2.2	2.5	1.2	
	BS-A315RE-B	BS-C315RE-B										
	BS-A312RD-B	BS-C312RD-B	GaP/ Green	568	30	80	30	150	2.2	2.5	3.0	
	BS-A313RD-B	BS-C313RD-B	GaAsP/GaP/ Yellow	585	35	80	30	150	2.1	2.5	2.0	
	BS-A314RD-B	BS-C314RD-B	GaAsP/GaP/ Hi-Eff.Red	635	45	80	30	150	2.0	2.5	3.0	
			GaAsP/GaP/ Orange									
	BS-A316RD-B	BS-C316RD-B	GaAlAs/ SH Super Red	660	20	60	30	150	1.7	2.5	6.0	
	BS-A31DRD-B	BS-C31DRD-B	GaAlAs/ DH Super Red	660	20	60	30	150	1.7	2.5	7.0	
	BS-A331RD	BS-C331RD	GaAsP/Red	655	40	80	40	200	1.7	2.0	0.6	SD-10
BS-A335RD	BS-C335RD	GaP/ Bright Red	700	90	40	15	50	2.2	2.5	1.2		
BS-A335RE	BS-C335RE											
BS-A332RD	BS-C332RD	GaP/ Green	568	30	80	30	150	2.2	2.5	3.0		
BS-A333RD	BS-C333RD	GaAsP/GaP/ Yellow	585	35	80	30	150	2.1	2.5	2.0		
BS-A334RD	BS-C334RD	GaAsP/GaP/ Hi-Eff.Red	635	45	80	30	150	2.0	2.5	3.0		
		GaAsP/GaP/ Orange										
BS-A336RD	BS-C336RD	GaAlAs/ SH Super Red	660	20	80	30	150	1.7	2.5	6.0		
BS-A33DRD	BS-C33DRD	GaAlAs/ DH Super Red	660	20	80	30	150	1.7	2.5	7.0		
0.31" Single-Digit	BS-A361RD	BS-C361RD	GaAsP/Red	655	40	80	40	200	1.7	2.0	0.6	SD-11
	BS-A365RD	BS-C365RD	GaP/ Bright Red	700	90	40	15	50	2.2	2.5	1.2	
	BS-A365RE	BS-C365RE										
	BS-A362RD	BS-C362RD	GaP/ Green	568	30	80	30	150	2.2	2.5	3.0	
	BS-A363RD	BS-C363RD	GaAsP/GaP/ Yellow	585	35	80	30	150	2.1	2.5	2.0	
	BS-A364RD	BS-C364RD	GaAsP/GaP/ Hi-Eff.Red	635	45	100	30	150	2.0	2.5	3.0	
GaAsP/GaP/ Orange												

	BS-A366RD	BS-C366RD	GaAlAs/ SH Super Red	660	20	80	30	150	1.7	2.5	6.0	
	BS-A36DRD	BS-C36DRD	GaAlAs/ DH Super Red	660	20	80	30	150	1.7	2.5	7.0	
0.36" Single-Digit	BS-A321RD	BS-C321RD	GaAsP/Red	655	40	80	40	200	1.7	2.0	0.6	SD-12
	BS-A325RD	BS-C325RD	GaP/ Bright Red	700	90	40	15	50	2.2	2.5	1.2	
	BS-A325RE	BS-C325RE										
	BS-A322RD	BS-C322RD	GaP/ Green	568	30	80	30	150	2.2	2.5	3.0	
	BS-A323RD	BS-C323RD	GaAsP/GaP/ Yellow	585	35	80	30	150	2.1	2.5	2.0	
	BS-A324RD	BS-C324RD	GaAsP/GaP/ Hi-Eff.Red	635	45	80	30	150	2.0	2.5	3.0	
			GaAsP/GaP/ Orange									
	BS-A36RD	BS-C326RD	GaAlAs/ SH Super Red	660	20	80	30	150	1.7	2.5	6.0	
	BS-A32DRD	BS-C32DRD	GaAlAs/ DH Super Red	660	20	80	30	150	1.7	2.5	7.0	



NOTES: 1.All Dimensions are in millimeters(inches).
3.Specifications are subject to change without notice.

2.Tolerance is ±0.25mm(.010").
4.NP:No Pin. 5.NC:No Connect.