

# SPECIFICATION FOR PIEZO ELECTRIC BUZZER

Customer	
Customer P/N	
BeStar Model Name	BPT2412XH16 LF
Product No.	040600
Issue No.	BS/TEP01.046C
Issue Date	08/02/21

## Approval:

- 1.Characteristics
- 2.Dimension
- 3.Reliability Test
- 4.Packing
- 5.Notice
- 6.History change record

Drawn by	Checked by	Approved by	Customer approved

For conform to the European Union Directive on the Restriction of Hazardous Substances(RoHS), this type of productions forbid use all the hazardous substances as follow:

Lead

Cadmium

Mercury

Hexavalent chromium

Polybrominated biphenyls (PBB)

Polybrominated diphenyl ethers (PBDE)



BESTAR ELECTRONICS INDUSTRY CO.,LTD

No.199 HuangHe West Road.New district,changzhou,

jiangsu Province,P.R.China

Tel:86-519-88222567 Fax:86-519-88222551

Http:[www.be-star.com](http://www.be-star.com)

E-mail: [wu@be-star.com](mailto:wu@be-star.com), [info@be-star.com](mailto:info@be-star.com)

# BPT2412XH16 LF



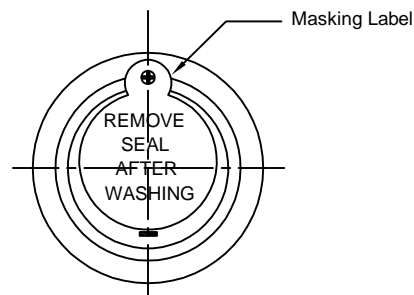
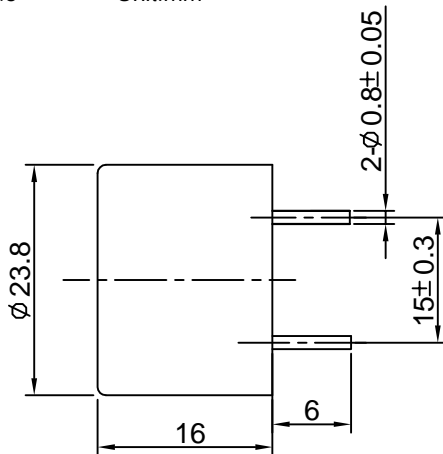
## 1. Characteristics

### Electrical and Mechanical Characteristics

No.	Item	Specification
1.	Rated Voltage	12VDC
2.	Operating Voltage	3...20V
3.	a)Rated Current	max.10mA
4.	a)Sound Output at 30cm	min.90dB
5.	a)Resonant Frequency	3700 ± 500Hz
6.	Operating Temperature	-20...+60 ° C
7.	Storage Temperature	-30...+70 ° C
8.	Weight	5 g
	a)Value applying at rated voltage	

## 2. Dimension

Tolerance:±0.3 Unit:mm



This print and information there in are proprietary to Bestar Electronics Industry Co., Ltd. and shall not be used in whole or in part without its written content

				Date:	08/02/21	BPT2412XH16 LF
				Drawn by:	赵 峥	
A	C	08/02/21	赵 峥	Checked by:	李红元	Piezo Buzzer
Rev.	Date	Drawn	Note	Approved by:	张秀琴	

# BPT2412XH16 LF

## 3. Reliability test

### 3.1 High temperature test

Temperature +70° C  
Duration 96hrs

### 3.2 Low temperature test

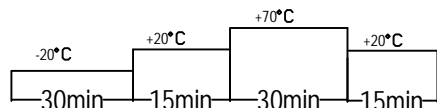
Temperature -30° C  
Duration 96hrs

### 3.3 Life test in normal temperature

Power supply rated voltage  
Duration 1000hrs

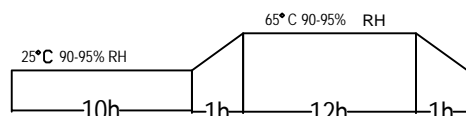
### 3.4 temperature cycle test

Cycles 5



### 3.5 Humidity cycle test

Cycles 5



all these tests above should be measured after leaving normal temperature for 2hrs.

### 3.6 Drop test

Height 70cm  
(to 10mm thickness woodenboard)  
Direction 3

### 3.7 Solderability

Temperature 255 ± 5° C  
Duration 3sec

Notice: All specification must be satisfied in this condition.

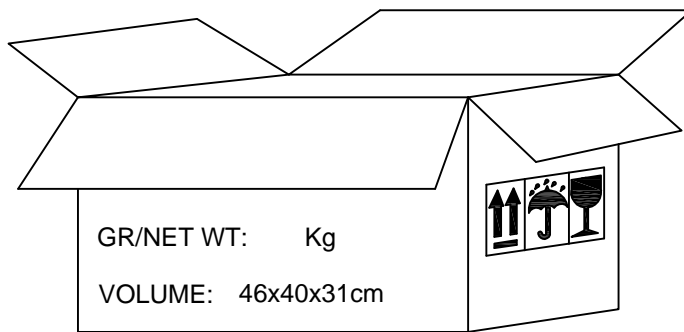
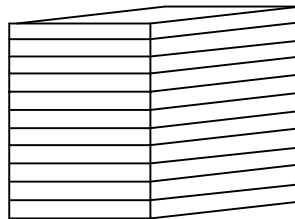
This print and information there in are proprietary to Bestar Electronics Industry Co., Ltd. and shall not be used in whole or in part without its written content.

				Date:	08/02/21	BPT2412XH16 LF
				Drawn by:	赵 崢	
A	C	08/02/21	赵 崢	Checked by:	李红元	Piezo Buzzer
REV.	Date	Drawn	Note	Approved by:	张秀琴	
BESTAR ELECTRONICS INDUSTRY CO.,LTD						DRG NO: BS/TEP01.046C
www.be-star.com wu@be-star.com						Page:2 of 4

# BPT2412XH16 LF

## 4. Packing

Packing Quantity :80pcs per tray  
 18trays per carton  
 1440pcs per carton  
 Carton size: 46x40x31cm



## 5. Notice

5.1 The products mustn't be washed

### 5.2 Storage Condition

The products should be stored in the room, where the temperature/humidity is stable. And avoid such places where there are large temperature changes. Please store the products at the following conditions:

Temperature: -10 to + 40°C Humidity: 15 to 85% R.H.

### 5.3 Expire Date on Storage

Expire date (Shelf life) of the products is six months after delivered under the conditions of a sealed and an unopened package. Please use the products within six months after delivered.

If you store the products for a long time (more than six months), use carefully because the products may be degraded in the solderability and/or rusty. Please confirm solderability and characteristics for the products regularly.

### 5.4 Notice on Product Storage

(1) Please do not store the products in a chemical atmosphere (Acids, Alkali, Bases, Organic gas, Sulfides and so on), because the characteristics may be reduced at quality, and/or be degraded in the solderability due to the storage in a chemical atmosphere.

(2) Please use the products immediately after the package is opened, because the characteristics may be reduced at quality, and/or be degraded in the solderability due to storage under the poor condition.

(3) Please do not drop the products to avoid cracking of ceramic element.

This print and information there in are proprietary to Bestar Electronics Industry Co., Ltd. and shall not be used in whole or in part without its written content

				Date:	08/02/21	BPT2412XH16 LF	
				Drawn by:	赵 崢		
A	C	08/02/21	赵 崢	Checked by:	李红元	Piezo Buzzer	
	REV.	Date	Drawn	Note	Approved by:		张秀琴
BESTAR ELECTRONICS INDUSTRY CO.,LTD						DRG NO: BS/TEP01.046C	Page:3 of 4
www.be-star.com wu@be-star.com							

# BPT2412XH16 LF

## 6. History change record

version No.	Change Items		Date	Drawn	Approved
	Before	After			
A			01/06/11	王善梅	郭敏
B		RoHS	06/08/15	杨红焯	郭敏
C		Add Masking Label	08/02/21	赵 崢	张秀琴

This print and information there in are proprietary to Bestar Electronics Industry Co., Ltd. and shall not be used in whole or in part without its written content

				Date:	08/02/21	BPT2412XH16 LF	
				Drawn by:	赵 崢		
A	C	08/02/21	赵 崢	Checked by:	李红元	Piezo Buzzer	
REV.	Date	Drawn	Note	Approved by:	张秀琴		
BESTAR ELECTRONICS INDUSTRY CO.,LTD						DRG NO: BS/TEP01.046C	Page:4 of 4
www.be-star.com wu@be-star.com							