

BRIGHT LED ELECTRONICS CORP.

SILICON PHOTO TRANSISTORS SPECIFICATION

● **COMMODITY** : T-1 3/4 Standard 1.0" Lead 5Ø

● **DEVICE NUMBER** : BPT-BP0334

VERSION : 1.2/2000.09.14

● **APPLICATIONS**

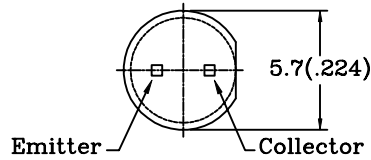
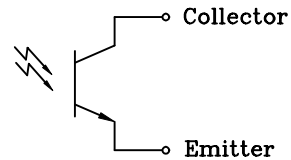
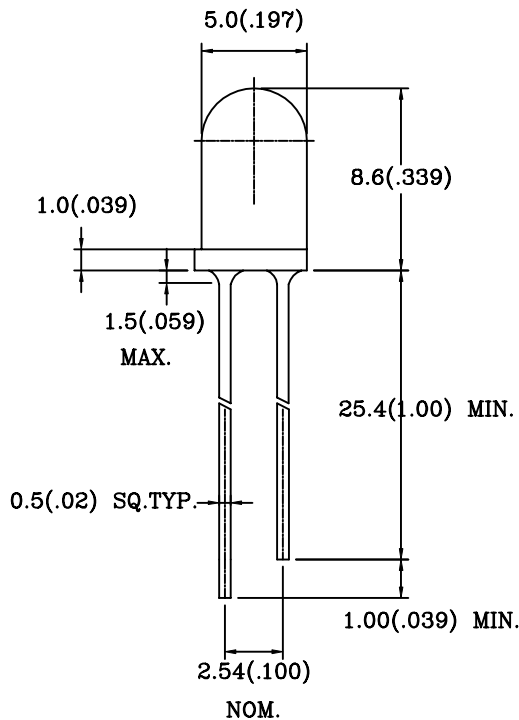
- Remote Control
- Smoke Detector
- Automatic Control System
- PC Mouse
- Optical Encoder

● **ABSOLUTE MAXIMUM RATINGS** (Ta=25°C)

- Collector-to-Emitter Saturation Voltage Vce (SAT). (Ib=100uA)/Ic=2mA..... 0.4V(Max.)
- Emitter-to-Collector Breakdown Voltage (BVeco).....-5V(Max.)
- Operating Temperature Range-45°C ~ +85°C
- Storage Temperature Range-45°C ~ +100°C
- Lead Scolding Temperature (1/16 inch from case) 5sec 250°C

● **ELECTRICAL AND OPTICAL CHARACTERISTICS** (Ta=25°C)

Peak Wave Length λ P (nm)	Lens Appearance	Absolute Maximum Rating		Collector Light Current (IC(ON))				Collector Dark Current (ICEO)		Vec=30v IC=800Ua RL=1KΩ		Viewing Angle 2θ 1/2 (deg)
		Vceo (V)	Pd (mW)	Min. (mA)	Typ. (mA)	Vce (V)	H (mW/cm ²)	Max (nA)	Vce (V)	Ir (ns)	If (ns)	
940	Water Clear	30	100	0.5	4.0	5.0	1.0	100	10	10	15	30



- NOTES: 1.All dimensions are in millimeters (inches).
 2.Tolerance is ± 0.5mm unless otherwise specified.
 3.Lead spacing is measured where the leads emerge from the package.
 4.Specifications are subject to change without notice.



RELEASED :



ENGINEER :

