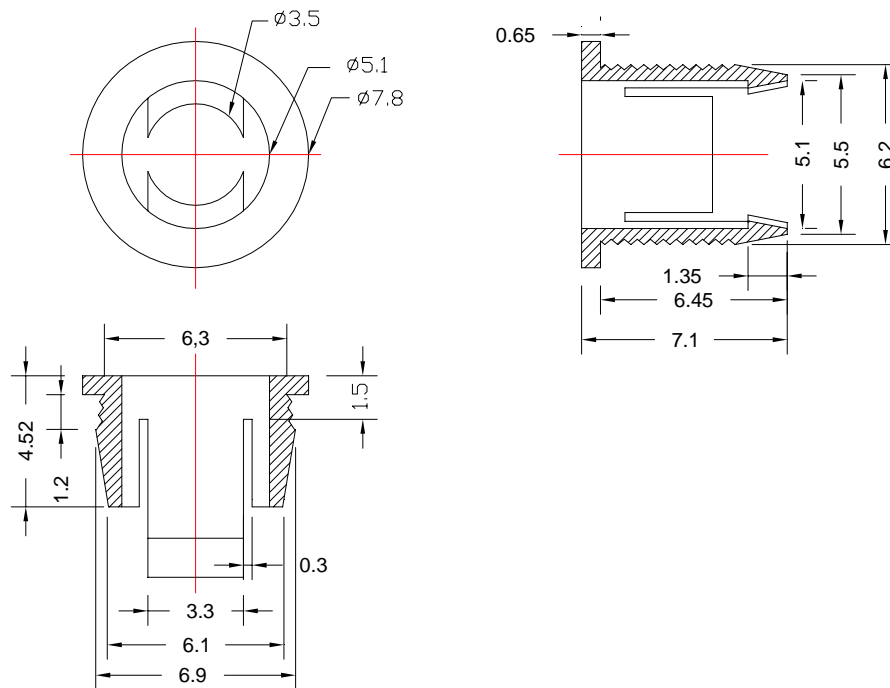


BL-C2S

● **Features:**



Note:

1. All dimensions are in millimeters (inches).
2. Tolerance is $\pm 0.25\text{mm}$ (0.01") unless otherwise specified.
3. Specifications are subject to change without notice.