

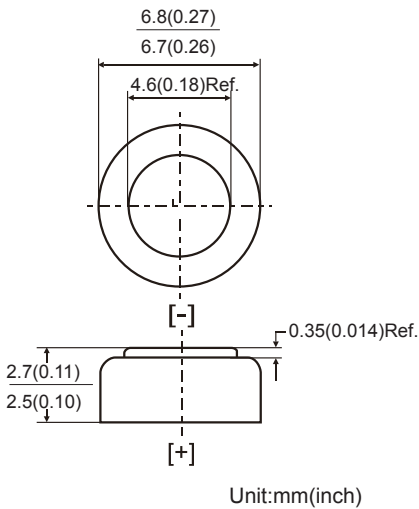
AG4

ZERO MERCURY

Alkaline Button Cell



Dimensions



Specifications

| | |
|------------------------|--|
| Chemical System: | Alkaline(Zn/MnO ₂) (Zinc-Manganese Dioxide) |
| IEC Name: | LR66 |
| Camelion Model: | AG4(LR626) |
| Average Weight: | 0.34g |
| Dimension(ΦxH) | 6.8 x 2.6mm 0.27 x 0.1 inch |
| Terminals: | Flat |
| Nominal Voltage: | 1.5Volts |
| Capacity: | 20mAh (Rated at 45kohm to 0.9V) |
| Operating Temperature: | -18°C -55°C |
| Storage Temperature: | 15°C -25°C |
| Relative Humidity: | 60±15% |

Usage Guide



Watch



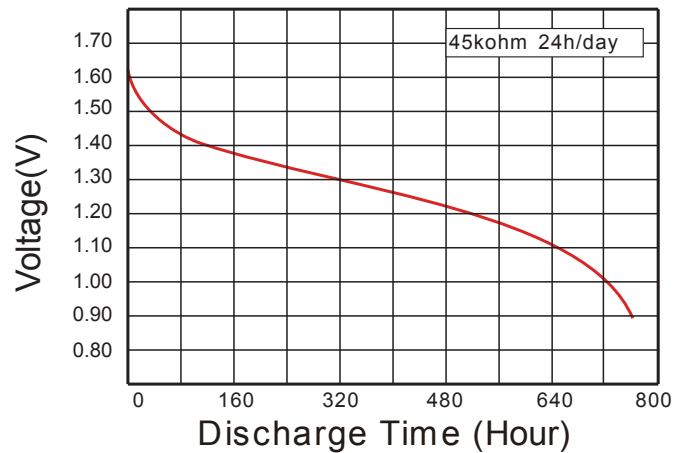
Calliper



Calculator

Typical Discharge Testing

Typical characteristics at 21 °C



Notice:

Environmental elements comply with 2006/66/EC and US LAW 104-142 requirements. This data sheet is typical information specific to products manufactured at the time of its publication. Contact Camelion Battery Co., Ltd. for the latest information.