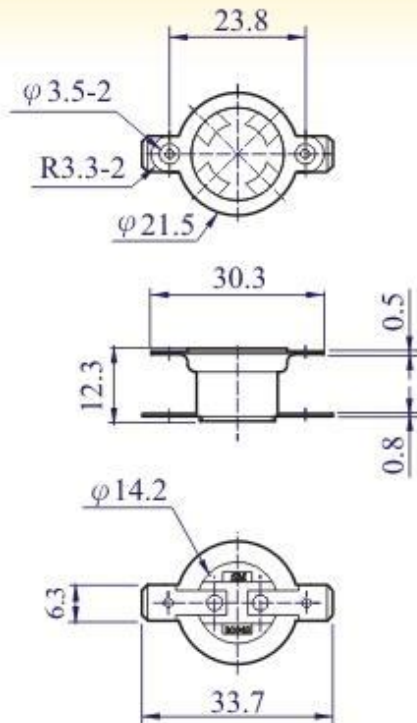
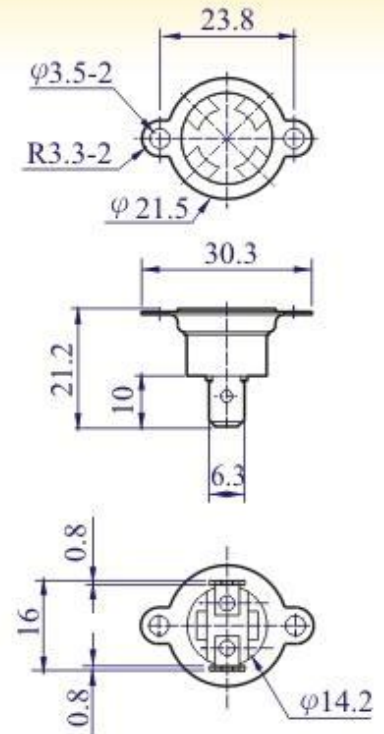




**P6722  
series**



**P6724  
series**



**DIMENSION IN mm**

### **SPECIFICATIONS:**

- ✧ TEMPERATURE RANGE: **45 - 165°C**
- ✧ OPERATING TOLERANCE: **±5°C, ±8°C, ±10°C**
- ✧ RESET DIFFERENTIAL: **10°C - 50°C**
- ✧ INPUT POWER: **32 VDC / 125 VAC / 250 VAC**
- ✧ CONTACTS TYPE: **NORMALLY CLOSE / NORMALLY OPEN .**
- ✧ CONTACTS ENDURANCE: (RESISTIVE LOAD)
  - 32VDC × 100mA -- 50,000 CYCLES**
  - 125VAC × 10A -- 100,000 CYCLES**
  - 125VAC × 15A -- 30,000 CYCLES**
  - 250VAC × 6A -- 30,000 CYCLES**
- ✧ INTERRUPT CAPACITY: **125VAC × 60A -- 5 CYCLES .**
- ✧ OVERSHOOT TEMPERATURE: **200°C / 5 MINUTES .**
- ✧ DIELECTRIC STRENGTH: **1500VAC / 1 MINUTE .**
- ✧ METHOD OF OPERATION : **AUTOMATIC INTERRUPTION AND AUTOMATIC RESETING .**
- ✧ **IEC - 934** METHOD OF TRIPPING: "**TO**" = **THERMAL .**
- ✧ DEGREE OF TRIP - FREE BEHAVIOUR : "**CYCLING TRIP - FREE**"
- ✧ RESET TYPE: **AUTO RESET .**

### **APPROVAL :**

- U L** APPROVAL: **75°C - 145°C**  
**10A 125VAC 100,000 CYCLES**
- CSA** APPROVAL: **75°C - 145°C**  
**10A 125VAC 100,000 CYCLES**

### **APPLICATIONS :**

- ✧ TEMPERATURE CONTROLLER
- ✧ COFFEE MAKER
- ✧ DISH WASHER
- ✧ HOT PLATE