

SPOT WELDER CONTROL PANEL



A reliable zero-crossing detection circuit to ensure that the SCR phase shift accurate

NY-D01 Spot Welding Machine 40A Digital Display Spot Welder DIY Time and Current Controller Control Panel Board

Description:

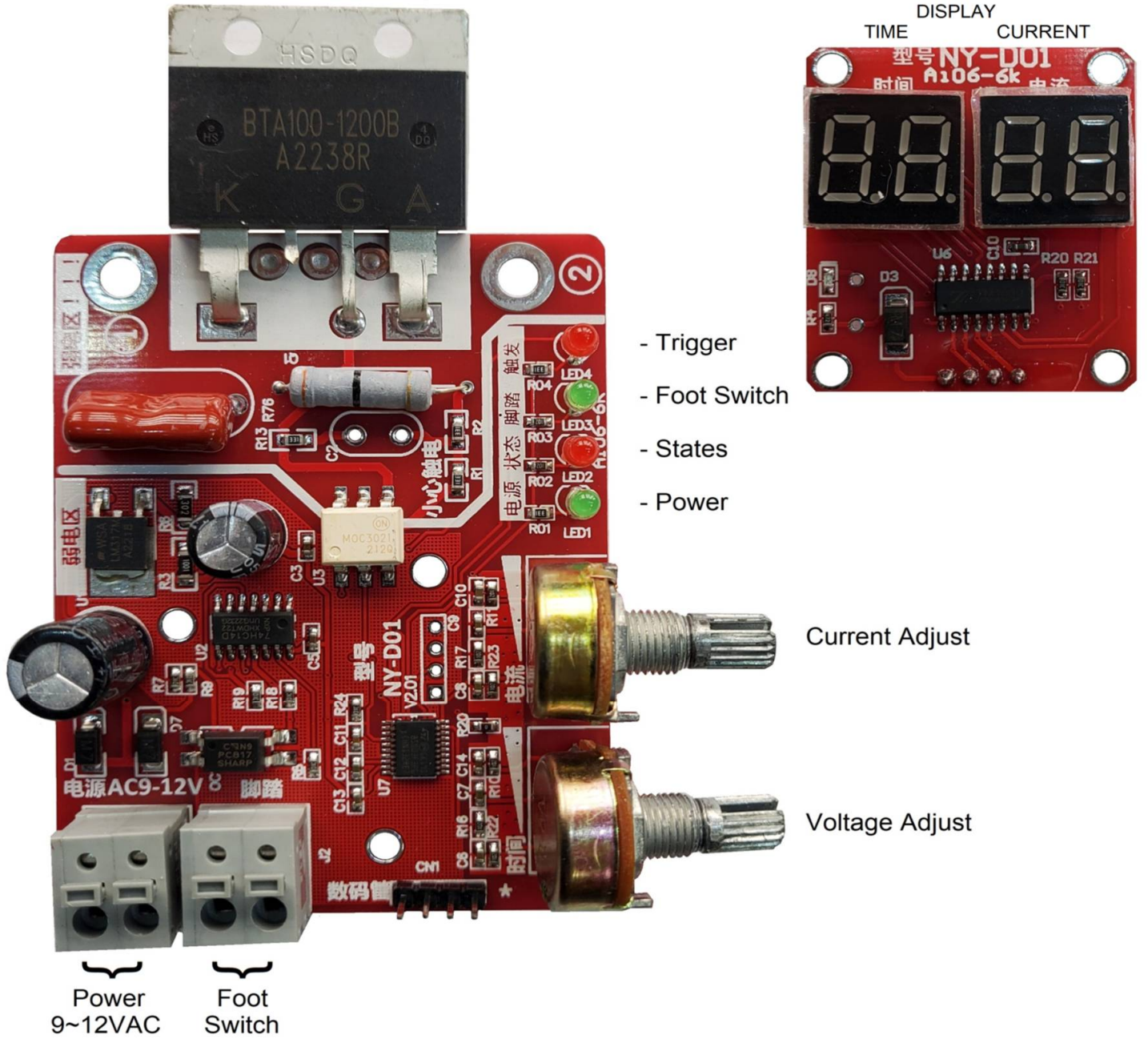
DIY Spot Welding Machine 40A with a Digital Display and Time and Current Adjustable Control Module.

This is a kind of fine quality spot welding machine control panel, which has single-pulse, time and current is adjustable, simple and easy to use. Equipped with digital display, you can see the time and current directly.

- This spot welding machine is independently developed for the DIY or the simple resistance welding.
- The principle of silicone-controlled phase shifting triggering is adopted to adjust the time and the current to achieve the purpose of welding
- Equipped with a digital display, you can see the time and current directly, simple and easy to use
- High and low voltages is isolated by an optocoupler, for safe operation.
- Using a high-precision single-bit potentiometer, to ensure reliable and convenient input
- A reliable zero-crossing detection circuit to ensure that the SCR phase shifts accurately

Specifications:

- Name: Spot Welding Machine Control Panel
- Type: 40A
- Time: 01 ~ 50 cycles, 1 cycle = 20mS.
- Current: 30 ~ 99% max 40A
- Item size: 80 * 60 * 20mm
- Weight: 74g



- Trigger
- Foot Switch
- States
- Power

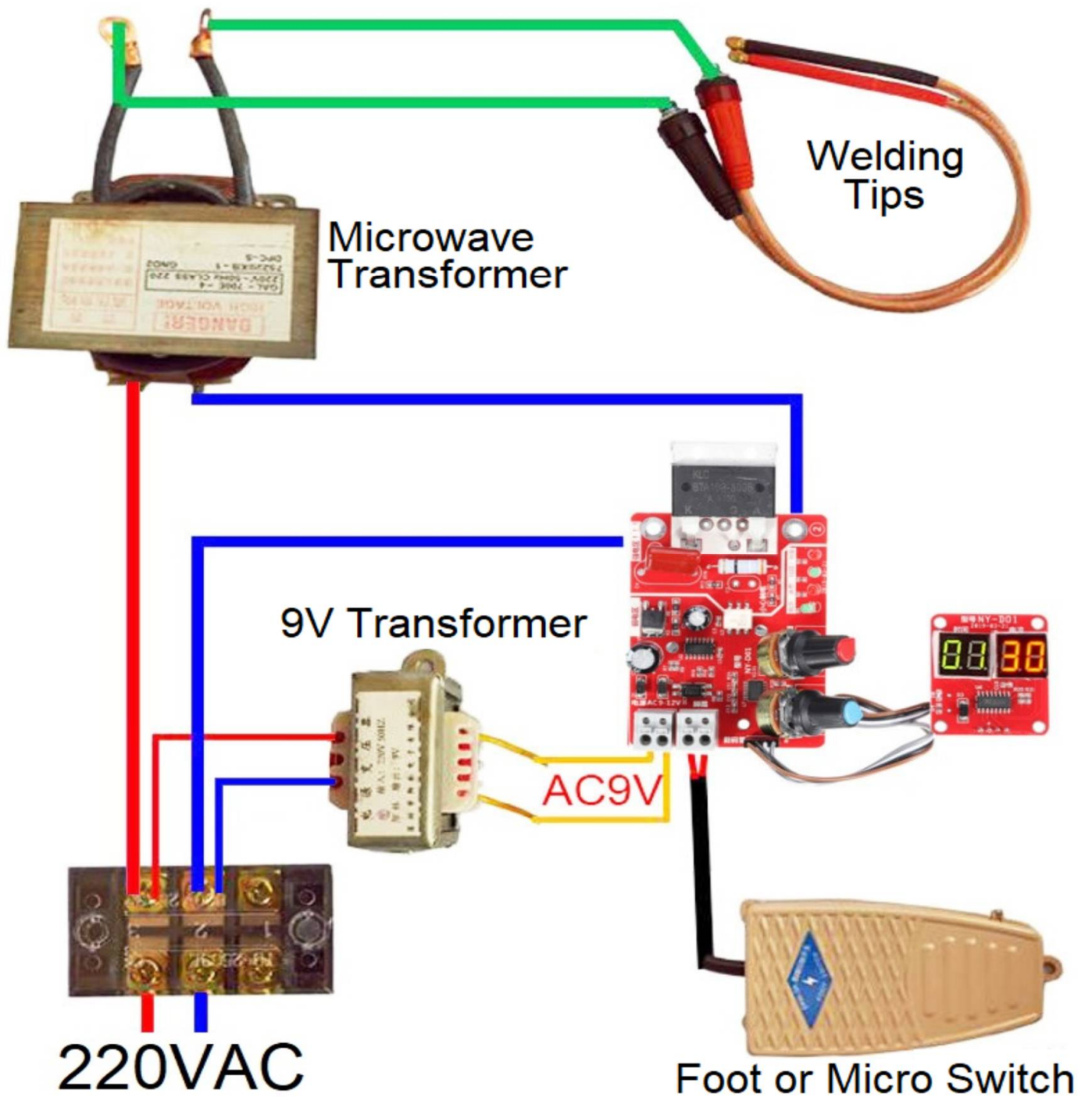
Current Adjust

Voltage Adjust

Power
9~12VAC

Foot
Switch

Schematics:



For more information on how to use a Microwave Transformer see links:

<https://www.instructables.com/How-to-Make-a-Spot-Welding-From-a-Old-Microwave-Ov/>

<https://www.instructables.com/DIY-Spot-Welder-From-Microwave/>