

**PLEASE CHECK WWW.MOLEX.COM FOR LATEST PART INFORMATION**

**Part Number:** **5025790000**  
**Status:** **Active**  
**Overview:** CLIK-Mate™ Wire-to-Board Connectors  
**Description:** CLIK-Mate™ 1.50mm Pitch Wire-to-Board Crimp Terminal, Tin Plating, 24-28 AWG, Reel

**Documents:**

|  |  |
|--|--|
| <a href="#">3D Model</a>                               | <a href="#">Product Specification 5031540000 (PDF)</a>     |
| <a href="#">Drawing (PDF)</a>                          | <a href="#">Product Specification 5031540000RPS (PDF)</a>  |
| <a href="#">Product Specification 5025840000 (PDF)</a> | <a href="#">Application Specification 5031490000 (PDF)</a> |
| <a href="#">Product Specification 5025840001 (PDF)</a> | <a href="#">RoHS Certificate of Compliance (PDF)</a>       |
| <a href="#">Product Specification 5031480000 (PDF)</a> |  |

**General**

|                         |  |
|-------------------------|--|
| Product Family          | Crimp Terminals                            |
| Series                  | 502579                                     |
| Application             | Signal                                     |
| Crimp Quality Equipment | Yes  |
| Overview                | <u>CLIK-Mate™ Wire-to-Board Connectors</u> |
| Packaging Alternative   | <u>502579-0100 (Loose)</u>                 |
| Product Name            | CLIK-Mate™                                 |
| UPC                     | 800756642857                               |

**Physical**

|                                |                      |
|--------------------------------|----------------------|
| Durability (mating cycles max) | 30                   |
| Gender                         | Plug                 |
| Material - Metal               | Copper Alloy         |
| Material - Plating Mating      | Tin                  |
| Material - Plating Termination | Tin                  |
| Net Weight                     | 22.500/mg            |
| Packaging Type                 | Reel                 |
| Plating min - Mating           | 0.406µm              |
| Plating min - Termination      | 0.406µm              |
| Termination Interface: Style   | Crimp or Compression |
| Wire Insulation Diameter       | 0.78-1.28mm          |
| Wire Size AWG                  | 24, 26, 28           |
| Wire Size mm²                  | 0.08-0.20            |

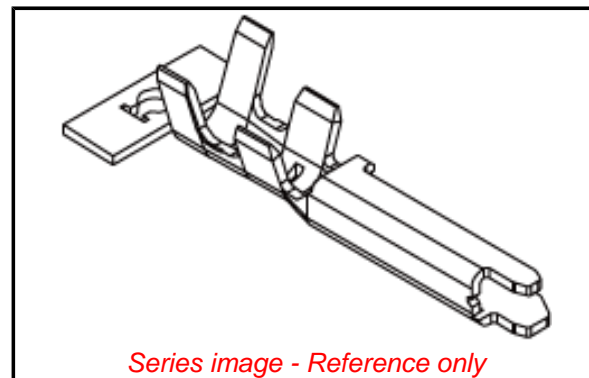
**Electrical**

|                               |                  |
|-------------------------------|------------------|
| Current - Maximum per Contact | 2.0A             |
| Voltage - Maximum             | 100V AC (RMS)/DC |

**Material Info**

**Reference - Drawing Numbers**

|                           |   |
|---------------------------|---|
| Application Specification | 5031490000  |
| Product Specification     | 5025840000, 5025840001, 5031480000, 5031540000, 5031540000RPS, RPS-502585-002, RPS-503159-001 |
| Sales Drawing             | SD-502579-001, SD-502579-002  |



**EU ELV**

**Not Relevant**

**EU RoHS**

**Compliant**

**REACH SVHC**

Not Contained Per - ED/21/2016 (20 June 2016)

**Halogen-Free**

**Status**

**Low-Halogen**

**Need more information on product environmental compliance?**

Email [productcompliance@molex.com](mailto:productcompliance@molex.com)  
Please visit the [Contact Us](#) section for any non-product compliance questions.

China ROHS

ELV

Green Image

Not Relevant

**Search Parts in this Series**

502579 Series

**Use With**

502578 CLIK-Mate™ Housing

**Application Tooling | FAQ**

*Tooling specifications and manuals are found by selecting the products below. Crimp Height Specifications are then contained in the Application Tooling Specification document.*

**Global**

| Description  | Product #         |
|--|-------------------|
| Hand Crimp Tool for Wire-to-Board Terminal, 24-28 AWG Wire | <u>0638194600</u> |
| Extractor Tool for 1.50mm Pitch Wire-                      | <u>0638133700</u> |

|  |                   |
|--|-------------------|
| to-Board Crimp<br>Terminal<br>FineAdjust™<br>Applicator for<br>1.50mm Pitch Wire-<br>to-Board Crimp<br>Terminals | <u>0639025000</u> |
| T2 Terminator for<br>1.50mm Pitch Wire-<br>to-Board Terminal   | <u>0639125000</u> |

This document was generated on 07/08/2016

**PLEASE CHECK [WWW.MOLEX.COM](http://WWW.MOLEX.COM) FOR LATEST PART INFORMATION**