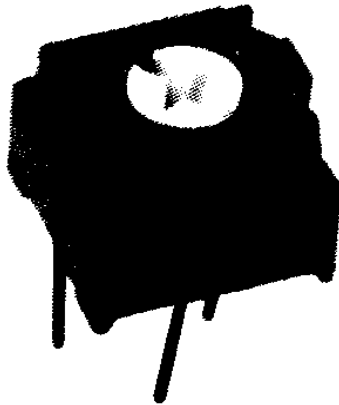




MODEL NO.3323



FEATURES :

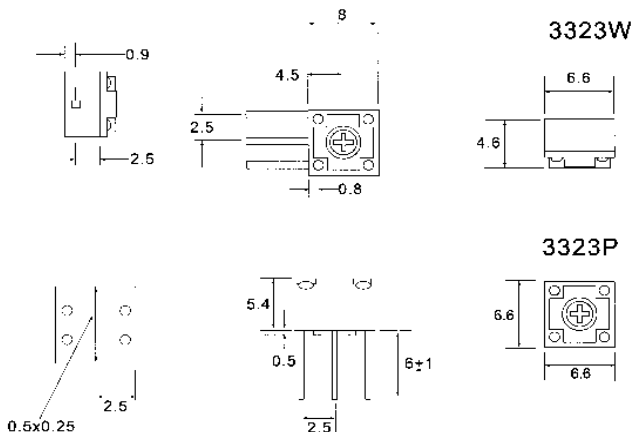
- 1/4" Square Shape
- Cermet/ Industrial/ Sealed
- Single Turn Adjust with Unique Centre Tapped
- Horizontal Adjust Type Available

HOW TO ORDER

	3323	P	-103
Model	_____		
Style	_____		
Resistance Code	_____		

Standard Resistance Table	
Resistance (Ω)	Resistance Code
10	100
20	200
50	500
100	101
200	201
500	501
1,000	102
2,000	202
5,000	502
10,000	103
20,000	203
50,000	503
100,000	104
200,000	204
500,000	504
1,000,000	105
2,000,000	205

OUTLINE DRAWING & DIMENSIONS (mm)



Electrical Characteristics

Power Rating0.5W @ 70 °C 0W @ 125 °C
Resistance Range10Ω~ 2MΩ
Insulation Resistance1GΩ
Contact Resistance Variation1% or 3Ω
End Resistance1% or 2Ω
Max. Operating Voltage300V

Mechanical Characteristics

Effective Electrical Travel (Turns)270°
Rotational Torque≤35mNm

Environmental Characteristics

Operating Temperature Range	...-55 °C ~ +125 °C
Temperature Coefficient±100ppm/°C

