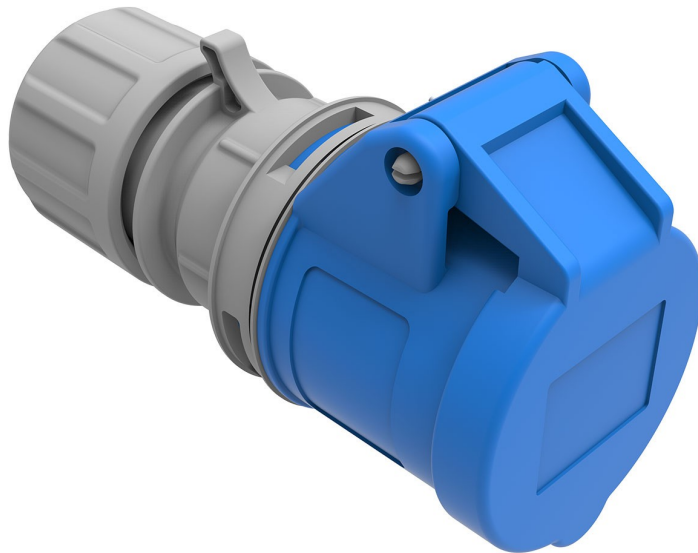
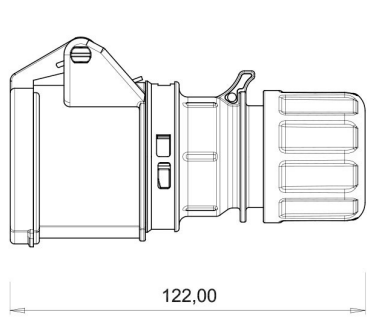


Connector Socket

Product Code :	BC1-1403-2312
Barcode :	8698523920275
IP Class :	IP44
Ampere :	16A
Volt :	220V-250V
Hertz :	50Hz - 60Hz
Pole :	2P+E
Body Material :	Polyamid 6
Conductor Material :	MS 58
Gram :	-
Box :	10
Package :	180





Ø8,0 - Ø16,0

This is a technical drawing showing a detail of a hole or opening in the component. The drawing is a vertical line with a horizontal line across the middle, representing the hole. The text "Ø8,0 - Ø16,0" is written vertically to the right of the drawing, indicating the diameter of the hole at different points.

