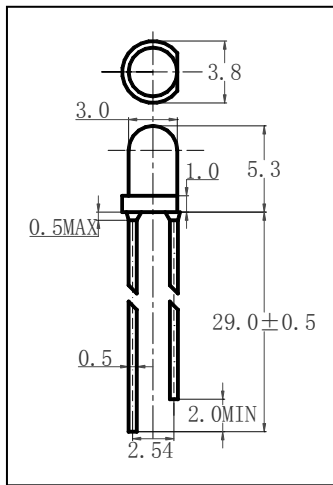


Part Number: 304WC

Package Dimensions: (Unit: mm)



CHIP	
Material	InGaN
Emitting Color	White
Lens Color	Water Clear

Absolute Maximum Ratings (Ta=25°C)

Parameter	Symbol	MAX	Unit
Max Power Dissipation	P_M	80	mW
Max Continuous Forward Current	I_{FM}	20	mA
Max Reverse Voltage	V_{RM}	5	V
Peak Forward Current	I_{FP}	75	mA
Lead Soldering Temperature/Time	T_{SOL}	240/≤3S	°C/S
Operating Temperature Range	T_{OPR}	-25~+85	°C
Storage Temperature Range	T_{STR}	-30~+100	°C

Initial Electrical Optical Characteristics

Parameter	Symbol	Min.	Typ.	Max.	Unit	Test Condition
Luminous Intensity	I_v	3000	4000	4500	mcd	$I_F=20mA$
Viewing Angle	$2\theta_{1/2}$	/	30	/	deg	$I_F=20mA$
Peak Wave Length	λ_p	/	/	/	Nm	$I_F=20mA$
Color Temperature		6500	7000	8000	K	$I_F=20mA$
Spectral Width at half height	$\Delta\lambda$	/	/	/	nm	$I_F=20mA$
Forward Voltage	V_F	3.0	3.1	3.2	V	$I_F=20mA$
Reverse Current	I_R	/	/	≤30	μA	$V_R=5V$