

1571634-1 ✓ ACTIVE

Alcoswitch

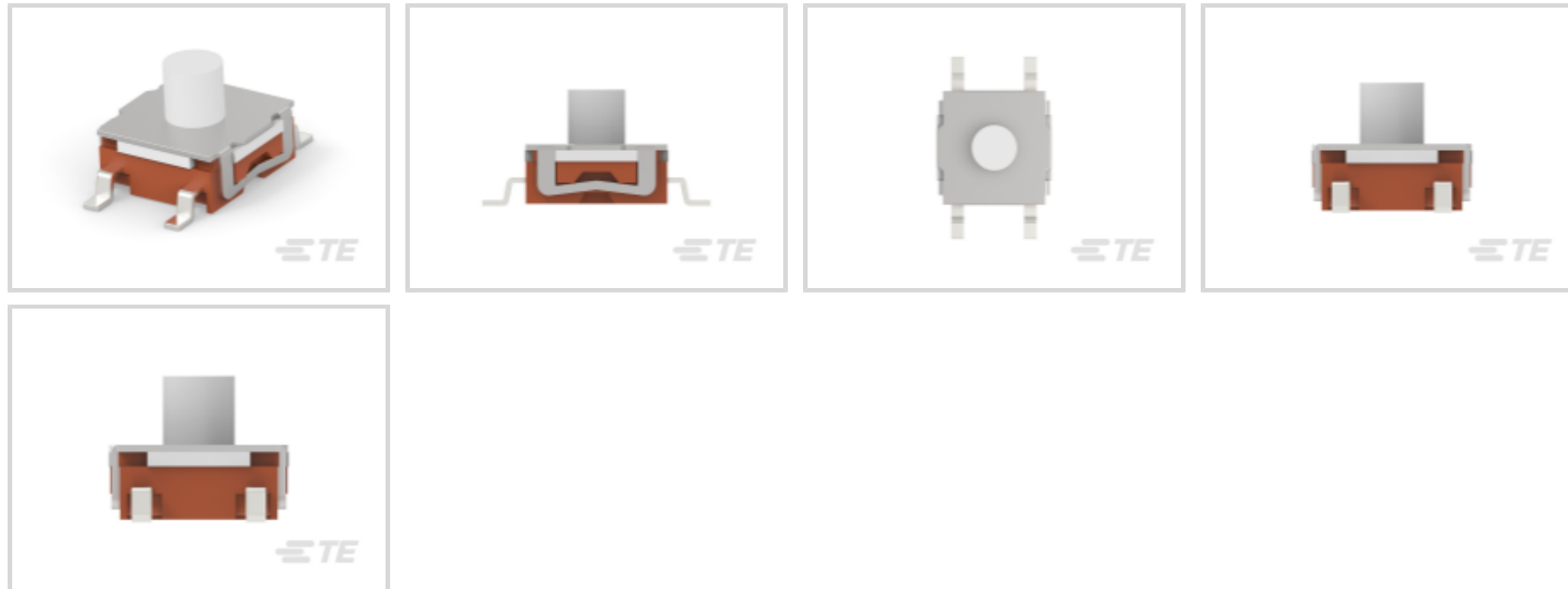
TE Internal #: 1571634-1

Tactile Switches, Round Actuator Style, NO, Stainless Steel, Silver,  
Low Profile, 50mA Contact Current Rating, Operating Voltage 24  
VDC

[View on TE.com >](#)



Switches > Tactile Switches



Actuator Style: **Round**

Operating Function: **NO**

Contact Base Material: **Stainless Steel**

Switch Contact Plating Material: **Silver**

Low Profile: **With**

### Features

#### Product Type Features

Switch Connection Type	Printed Circuit Board
Leg Style	Gull Wing
Illuminated	With
Actuator Style	Round

#### Configuration Features

ESD Grounding Terminal	Without
Ganged	With
Switch Feedback Type	Tactile
Operating Function	NO
Support Bracket	Without
Configuration (Pole-Throw)	Single Pole - Single Throw
Number of Actuators	Single

#### Electrical Characteristics

Operating Voltage	24 VDC
-------------------	--------



### Body Features

Cover Material	Stainless Steel
Actuator Force	160 g[5.64 oz]
Case Material	PPS
Actuator Profile	Extended
Actuator Material	Silicone Rubber
Case Color	Brown
Product Orientation	Vertical
Actuator Color	Natural

### Contact Features

Contact Base Material	Stainless Steel
Switch Contact Plating Material	Silver
Contact Current Rating	50 mA

### Termination Features

Termination Method to Printed Circuit Board	Surface Mount
---	---------------

### Housing Features

Low Profile	With
Process Sealed	No

### Dimensions

	.098 in
Actuator Length	2.4 mm[.094 in]
Product Height	5 mm[.196 in]

### Usage Conditions

Operating Temperature Range	-35 – 85 °C
-----------------------------	-------------

### Packaging Features

Packaging Method	Loose Piece
------------------	-------------

### Product Compliance

[For compliance documentation, visit the product page on TE.com>](#)

EU RoHS Directive 2011/65/EU	Compliant
EU ELV Directive 2000/53/EC	Compliant
China RoHS 2 Directive MIIT Order No 32, 2016	No Restricted Materials Above Threshold



EU REACH Regulation (EC) No. 1907/2006

Current ECHA Candidate List: JAN 2024  
(240)

Candidate List Declared Against: JAN 2024  
(240)

Does not contain REACH SVHC

Halogen Content

Low Halogen - Br, Cl, F, I < 900 ppm per homogenous material. Also BFR/CFR/PVC Free

Solder Process Capability

Reflow solder capable to 260°C

Product Compliance Disclaimer

This information is provided based on reasonable inquiry of our suppliers and represents our current actual knowledge based on the information they provided. This information is subject to change. The part numbers that TE has identified as EU RoHS compliant have a maximum concentration of 0.1% by weight in homogenous materials for lead, hexavalent chromium, mercury, PBB, PBDE, DBP, BBP, DEHP, DIBP, and 0.01% for cadmium, or qualify for an exemption to these limits as defined in the Annexes of Directive 2011/65/EU (RoHS2). Finished electrical and electronic equipment products will be CE marked as required by Directive 2011/65/EU. Components may not be CE marked. Additionally, the part numbers that TE has identified as EU ELV compliant have a maximum concentration of 0.1% by weight in homogenous materials for lead, hexavalent chromium, and mercury, and 0.01% for cadmium, or qualify for an exemption to these limits as defined in the Annexes of Directive 2000/53/EC (ELV). Regarding the REACH Regulation, the information TE provides on SVHC in articles for this part number is based on the latest European Chemicals Agency (ECHA) 'Guidance on requirements for substances in articles' posted at this URL: <https://echa.europa.eu/guidance-documents/guidance-on-reach>

### Compatible Parts



TE Part # 1825910-6  
FSM4JH=6MM TACT SWITCH, HIGH TEMP



TE Part # 2-1825910-7  
FSM14JH=6MM TACT SWITCH, HIGH TEMP



TE Part # 4-1437565-2  
FSM4JSMATR=TACT SWITCH 6X6MIL



TE Part # 3-1437565-0  
FSM2JSMATR=ON T/R



TE Part # 2-1977223-8  
FSM14JSMAS=6MM TACT SWITCH, SMT 160gf

### Customers Also Bought



TE Part #5747845-5  
15 MSFL RCPT RA 318 (SL,FM,BL)



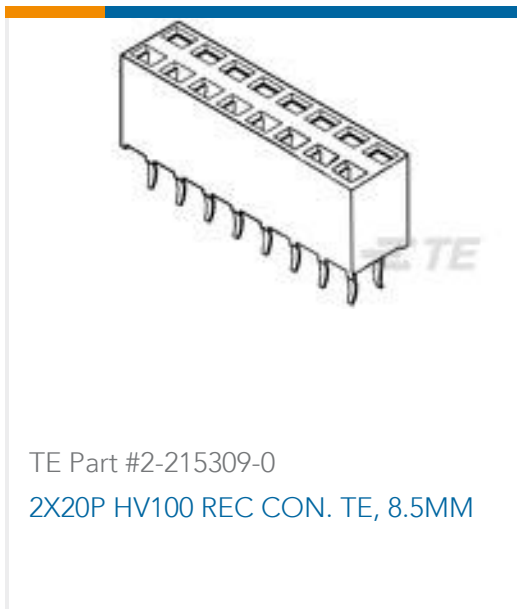
TE Part #5787685-1  
37 RCPT SP/FMS (RET SL)



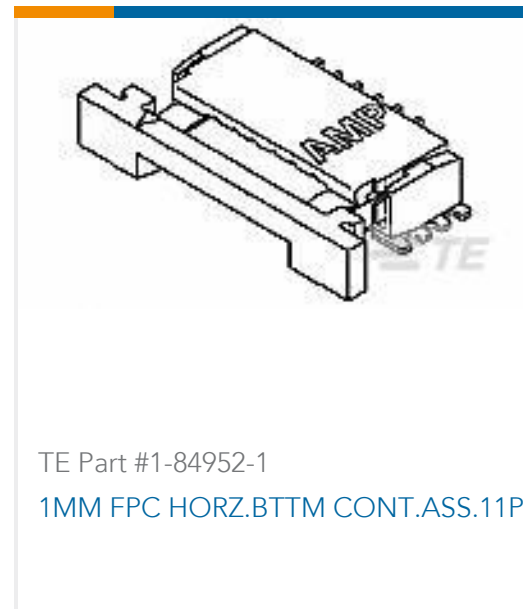
TE Part #5177985-1  
0.8FH,R05H.5,040,08/Sn,TR,SC



TE Part #3-2176070-3  
3521 220R 1% 2W



TE Part #2-215309-0  
2X20P HV100 REC CON. TE, 8.5MM



TE Part #1-84952-1  
1MM FPC HORZ.BTMM CONT.ASS.11P



TE Part #1676639-3  
RN 0805 10R 0.1% 10PPM 5K RL



TE Part #ZPF000000000100828  
DMC-MD 20 A



TE Part #5536501-3  
2MM FB,ASY,96,SIG,HDR,SL,4.25

## Documents

### Product Drawings

TACT SWITCH,SMT,SOFT ACTUATOR

English

### CAD Files

3D PDF

3D

Customer View Model

[ENG\\_CVM\\_CVM\\_1571634-1\\_F.2d\\_dxf.zip](#)

English

Customer View Model

[ENG\\_CVM\\_CVM\\_1571634-1\\_F.3d\\_igs.zip](#)

English

Customer View Model

[ENG\\_CVM\\_CVM\\_1571634-1\\_F.3d\\_stp.zip](#)

English

By downloading the CAD file I accept and agree to the [Terms and Conditions](#) of use.

### Datasheets & Catalog Pages

1571634-1

Tactile Switches, Round Actuator Style, NO, Stainless Steel, Silver, Low Profile, 50mA  
Contact Current Rating, Operating Voltage 24 VDC



## SWITCHES\_CORE\_PROGRAM\_CATALOG

English