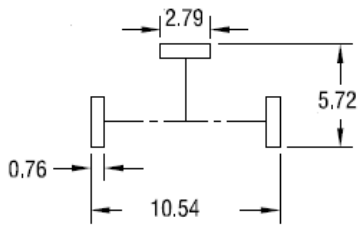
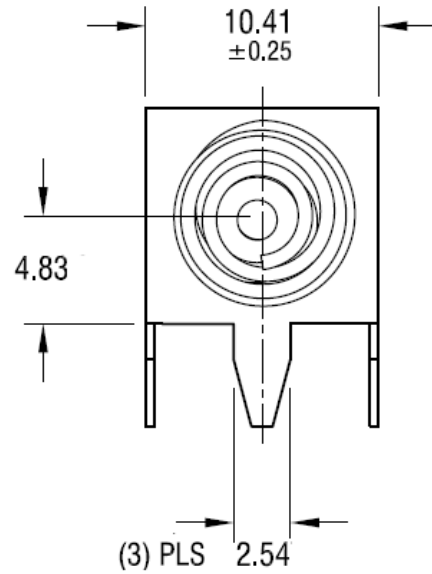
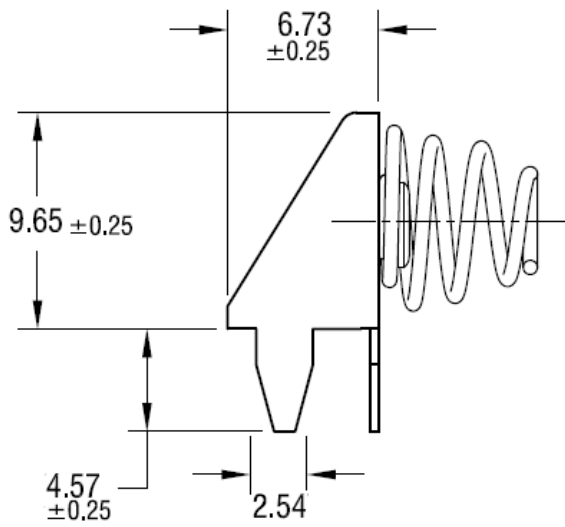
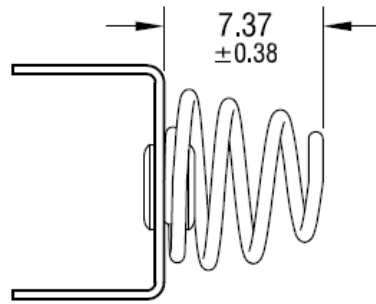
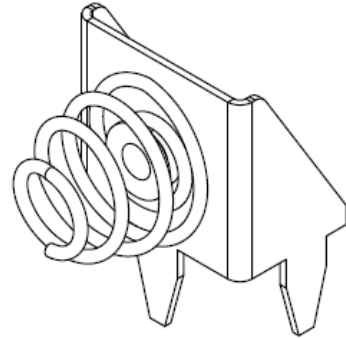


MOUNTING DETAIL



**YIP SHING
11303**



NOTE:

1. BASE - MAT'L: 0.38 TH'K STEEL
FINISH: MATTE TIN PLATE
2. SPRING - MAT'L: 0.63 DIA. MUSIC WIRE
FINISH: NICKEL PLATE

RECOMMENDED LAYOUT FOR 'AAA' BATTERY

