

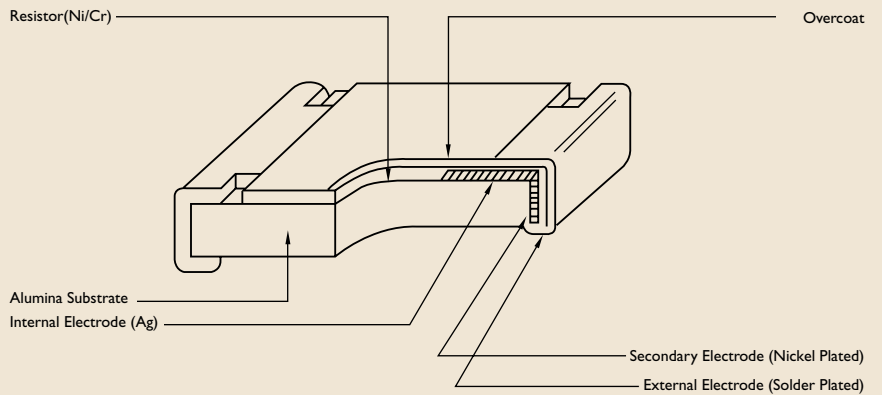
# Thin Film Chip Resistors

# RT Series

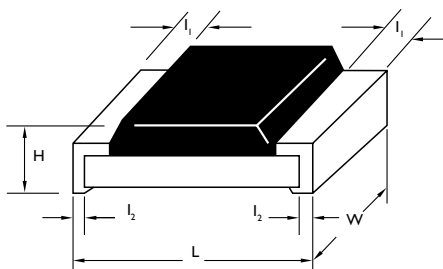


## FEATURES

- High Stability
- Low TCR
- High Accuracy ( $\pm 0.1\%$ ,  $\pm 0.5\%$ )



## DIMENSIONS



Unit : mm

STYLE	L	W	H	l <sub>1</sub>	l <sub>2</sub>
RT0201	0.60±0.10	0.30±0.05	0.25±0.05	0.15±0.10	0.15±0.10
RT0402	1.00±0.10	0.50±0.05	0.25±0.05	0.20±0.10	0.25±0.10
RT0603	1.60±0.10	0.80±0.10	0.45±0.10	0.25±0.15	0.25±0.15
RT0805	2.00±0.10	1.25±0.10	0.50±0.10	0.35±0.20	0.35±0.20
RT1206	3.10±0.10	1.60±0.10	0.55±0.10	0.45±0.20	0.40±0.20
RT1210	3.10±0.10	2.60±0.15	0.55±0.10	0.50±0.20	0.50±0.20
RT2010	5.00±0.10	2.50±0.15	0.55±0.10	0.60±0.20	0.50±0.20
RT2512	6.35±0.10	3.20±0.15	0.55±0.10	0.60±0.20	0.50±0.20

Note :

## ELECTRICAL CHARACTERISTICS

STYLE	RT0201	RT0402	RT0603	RT0805	RT1206	RT1210	RT2010	RT2512
Power Rating @ 70°C	1/20W	1/16W	1/16W	1/10W	1/8W	1/4W	1/2W	3/4W
Operating Temp. Range	-55°C to +125°C							
Maximum Working Voltage	15V	25V	25V	100V	150V	150V	150V	150V
Maximum Overload Voltage	50V	100V	100V	200V	250V	300V	300V	300V
Dielectric Withstand Voltage	50V	100V	100V	250V	250V	400V	400V	400V
Resistance Range								
E-24 / E96 (E192 on Request)	33Ω ~ 22KΩ	10Ω ~ 100KΩ	10Ω ~ 330KΩ	10Ω ~ 1MΩ				
Resistance tolerance	±0.1% ; ±0.25% ; ±0.5% (±0.05% on Request)							
Temperature coefficient	±25ppm/°C ; ±50ppm/°C (±15ppm/°C On Request)							

## ENVIRONMENTAL CHARACTERISTICS

PERFORMANCE TEST	TEST METHOD	APPRAISE
Temperature Coefficient	MIL-STD-202F, Method 304	-55°C to +125°C by Type
Thermal Shock	MIL-STD-202F, Method 107	5 Cycles, -55°C to +125°C (Step by Step 2 min.) ±(0.5%+0.05Ω)
Low Temperature Operation	MIL-R-55342D, Para.4.7.4	One Hour at -55°C Followed by 45 Minutes RCWW ±(0.5%+0.05Ω)
Short Time Overload	MIL-R-55342D, Para.4.7.5	2.5Times RCWW for 5 Seconds ±(0.5%+0.05Ω)
Insulation Resistance	MIL-STD-202F, Method 302	RCOV for 1 Minute > 10GΩ
Dielectric Withstand Voltage	MIL-STD-202F, Method 301	R.M.S. for 1 Minute by Type
Resistance to Soldering Heat	MIL-STD-202F, Method 210C	Soldered to Test Board at 260°C for 10 Seconds ±(0.5%+0.05Ω)
Moisture Resistance	MIL-STD-202F, Method 106F	42 Cycles.Total 1000 Hours ±(0.5%+0.05Ω)
Life	MIL-STD-202F, Method 108A	1000 Hours at 70°C RCWW Intermittent ±(0.5%+0.05Ω)
Solderability	MIL-STD-202F, Method 208G	230°C for 5 Seconds >95% Coverage
Bending Strength	JIS-C-5202, Para.6.1.4, Unit Mounted in Center of 90mm Board Length, Deflected 5mm in Either Direction for 5 Seconds	±(0.5%+0.05Ω)