

超 声 波 雾 化 片

Ultrasonic Piezoelectric Atomizing Transducer

本公司的超声波雾化片技术, 与传统的以镍或钛为电极的雾化片相比, 我们的特殊保护电极在耐酸、耐碱、耐空化腐蚀方面性能优越, 具有电极强度高, 不易结垢, 实际使用寿命长的特点。

we are producing ultrasonic piezoelectric atomizing transducers of compact and higher performances. Our specially electrode protection layer of the transducer is far superior to Nickel or Titanium electrode used in traditional transducers, it has more advantages in withstanding acid, alkaline and cavitation corrosion, so it features higher strength, less water scale, and longer lifetime.

■ 品名 (Name): HN221

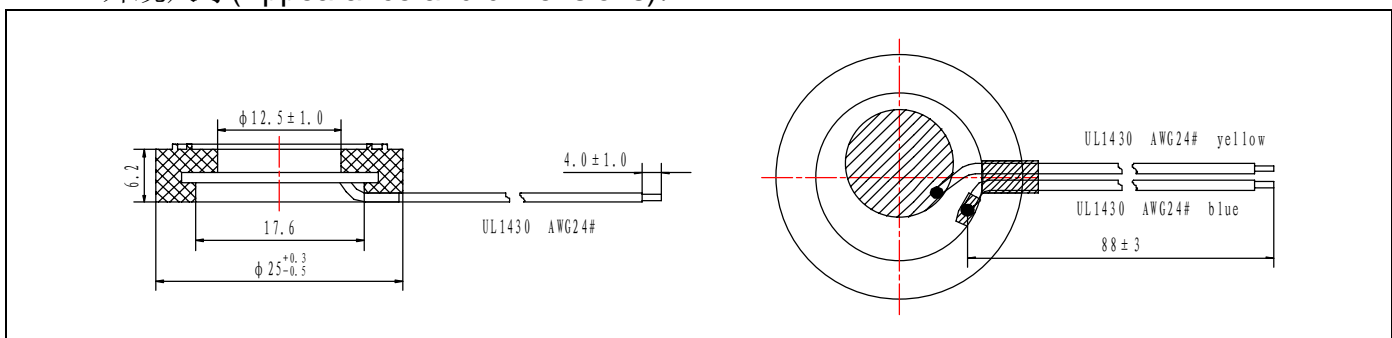
■ 产品型号 (Model): AW16Y20120G2L31J5z

Fog: 07034

■ 性能参数 (Electrical specification):

项目 Item	单位 Unit	标 准 Standard	测试条件(Test condition): T=25±5℃
谐振频率 (Ft) Thick resonant frequency	MHz	1.70±0.05	恒压测试法
谐振阻抗 (R) Resonant impedance	Ω	≤2.0	恒压测试法
静电容量 (C ₀) Static capacitance	pF	1500±20%	数字电桥 At 1000Hz/1V
机电耦合系数(Kt) Electrical-mechanical coupling coefficient		≥0.45	恒压测试法
寿命 Life time	Hour	5000	

■ 外观尺寸 (Appearance and dimensions):



注: UL1430 导线及端子、胶圈、焊锡丝、黄腊管符合环保要求, 压电陶瓷体豁免。

Remark: This specification is subject to change without prior notice.